

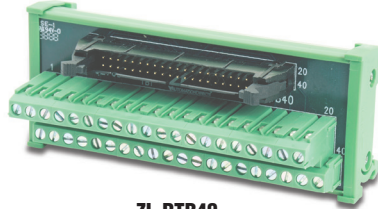


# Feedthrough Connector Modules

Feedthrough modules provide low-cost and compact field wiring screw termination solutions allowing quick connection with ZIPLink cables to PLC I/O modules. ZIPLink modules mount on 35mm DIN rail (part #DN-R35S1). Module ZL-RTB20 will mount on 15mm DIN rail (part #DN-R15S1).



ZL-RTB20



ZL-RTB40



ZL-RTB50

Specifications												
Feedthrough Modules	Part #	Pcs/ Pkg	Price/ Pkg	Weight (lbs)	Part #	Pcs/ Pkg	Price/Pkg	Weight (lbs)	Part #	Pcs/ Pkg	Price/ Pkg	Weight (lbs)
		ZL-RTB20	1	\$20.50	0.26	ZL-RTB40	1	\$34.00	0.22	ZL-RTB50	1	\$46.00
<b>Description</b> <sup>4</sup>	20-Pole Feedthrough Connector Module				40-Pole Feedthrough Connector Module				50-Pole Connector Module for interfacing SureServo I/O to a controller			
<b>Maximum Voltage</b>	300 VAC/VDC				36 VAC/VDC				0–30 VDC <sup>2</sup>			
<b>UL Voltage Rating</b>	0–250 VAC/VDC				0–30 VAC/VDC <sup>2</sup>				24VDC			
<b>Maximum Current per Circuit</b>	2A				500mA				0.2 A			
<b>Maximum Current per Common Circuit</b>	4A <sup>1</sup>				N/A				N/A			
<b>Maximum Current per Module</b>	40A (all conductors combined including commons)				32A (all conductors combined including commons)				10A			
<b>Number of Terminal Block Positions</b>	20				40				50			
<b>Surrounding Temperature Range</b>	32 to 140°F (0 to 60°C)											
<b>Terminal Block Contacts</b>	Copper alloy, tin-lead plated											
<b>Wire Range (Rated Cross Section)<sup>3</sup></b>	12–24 AWG Solid or Stranded Copper Conductor (2.5 mm <sup>2</sup> )											
<b>Wire Strip Length</b>	0.24–0.27 in (6–7 mm)											
<b>Screw Torque</b>	4.4 in-lbs (0.5 N·m)											
<b>Connector Type</b>	Molex Micro-Fit 3.0, 24 pin connector Example: Receptacle 43020-2400 Pins 43031 Series, Male				3M 34000 Series IDC Connector, strain relief is required to latch to header. Example: Socket 3417-7640, Strain relief 3448-3040				3M mini DELTA Ribbon (MDR), 101 Series, 50 pin Example: Plug 10150 - 3000VE, Shell 10350 - 52A0 - 008			
<b>Connecting Cables (Sold Separately)</b>	See Wiring Selection Guides at the beginning of this section. See Connection Cable specifications tables at the end of this section.				See Wiring Selection Guides at the beginning of this section. See Connection Cable specifications tables at the end of this section.				ZL-SVC-CBL50 (0.5 m/1.6 ft) ZL-SVC-CBL50-1 (1m/3.3 ft) ZL-SVC-CBL50-2 (2m/6.6 ft) See Connection Cable specifications tables at the end of this section.			
<b>Cable/Wire Clearance</b>	0.5 in (12.7 mm) Required											
<b>Mounting Restrictions</b>	None											
<b>Approvals</b>	File # E200031 UL, cUL, Class 1, Division 2, Groups A,B,C,D Hazardous Locations, CE, EN 61131-2:2007											

<sup>1</sup> The 4 common circuits are at terminal block positions 1, 6, 11, and 16.  
Each common circuit has 2 cable wires per terminal.

<sup>2</sup> Use Class 2 power supply

<sup>3</sup> Use conductors rated 60°/75°C

<sup>4</sup> Connecting cables are for internal wiring only.

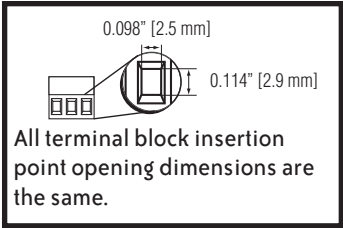
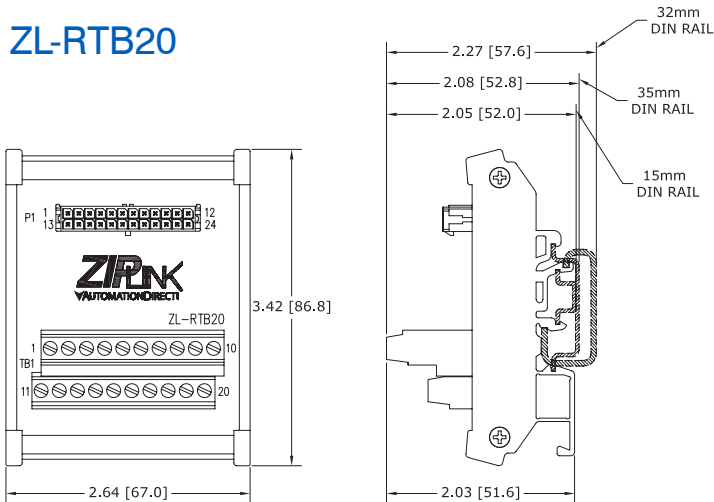


NOTE: SEE WIRING DETAILS AND DIMENSIONAL DRAWINGS ON OUR WEB SITE AT : <http://www.automationdirect.com/static/manuals/ziplinks/ziplinks.html>.

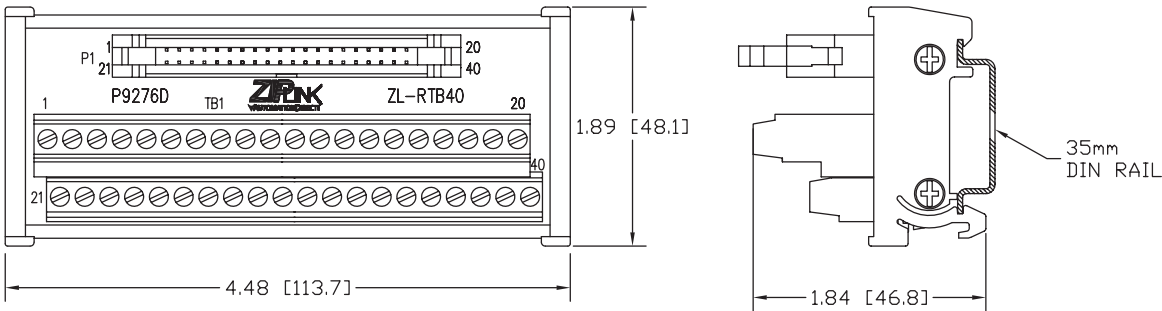


# Module Dimensions

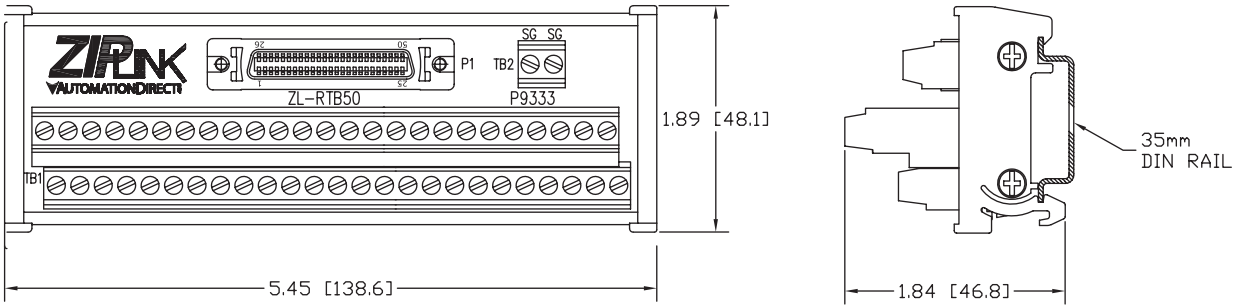
## ZL-RTB20



## ZL-RTB40



## ZL-RTB50



Note: Dimensions shown in Inches [mm]