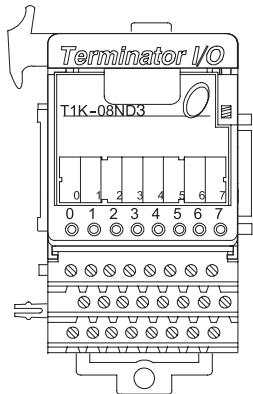


DC Input Modules

T1K-08ND3 <--->

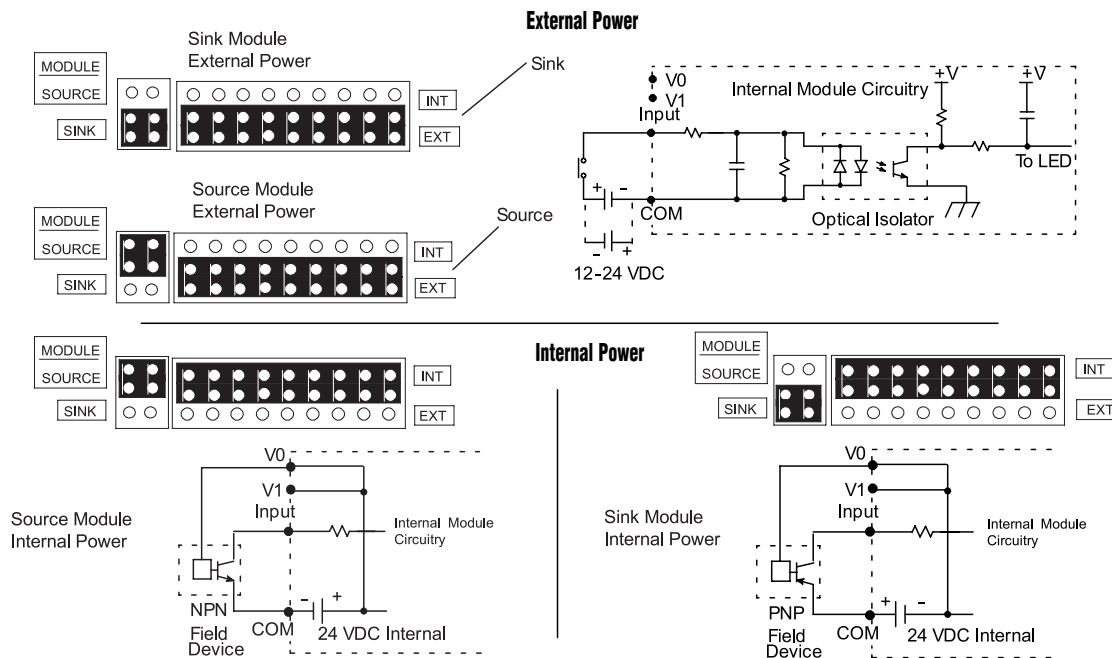
8-point 12/24VDC input module

The 8-point DC module uses a T1K-08B or T1K-08B-1 base, which is purchased separately.



Module Specifications	T1K-08ND3
Inputs Per Module	8 (sink/source)
Commons, Non-isolated	Ext. power: 2, isolated (4 pts. /com) Int. power: 2, all 8 pts. internally connected
Operating Voltage Range	12-24VDC
Input Voltage Range	10.8-26.4 VDC min./max.
Peak Range	30 VDC
Input Current (Typical)	4mA @ 12 VDC, 8.5mA @ 24 VDC
Input Impedance	2.8 KΩ
ON Voltage Level	> 10.0 VDC
OFF Voltage Level	< 2.0 VDC
Min. ON Current	4mA
Max. OFF Current	0.5mA
OFF to ON Response	2-8ms, Typ: 4ms
ON to OFF Response	2-8ms, Typ: 4ms
Base Power Required	35mA @ 5VDC
Status Indicators	Logic side
Weight	70g

Note: When using external power, the module can be wired either sink current or source current regardless of the module's sink/source jumper position. When using internal power, the sink/source jumpers determine the module's configuration.



- PLC Overview
- DL05/06 PLC
- DL105 PLC
- DL205 PLC
- DL305 PLC
- DL405 PLC
- Field I/O**
- Software
- C-more HMIs
- Other HMI
- AC Drives
- Motors
- Steppers/Servos
- Motor Controls
- Proximity Sensors
- Photo Sensors
- Limit Switches
- Encoders
- Pushbuttons/Lights
- Process
- Relays/Timers
- Comm.
- TB's & Wiring
- Power
- Enclosures
- Appendix
- Part Index