

Product Data Sheet Accutech DP20

Specifications



Accutech DP20

Functional

Sensor Type	Differential Pressure
Location	Field Unit
Frequency Range	900MHz and 2.4GHz license-free bands
Power	Integrated battery
Network Capacity	<ul style="list-style-type: none"> Max. 100 field units per base radio Max. 256 base radios per network

Features

Operational Modes	<ul style="list-style-type: none"> Differential Pressure Orifice Flow Open Channel Flow Level
Remote Configuration Interface	Accutech Manager, Windows™-based GUI software, providing network-wide monitoring and performance-management features and field unit configuration capabilities
Local Configuration Interface	<ul style="list-style-type: none"> Integrated LCD with membrane-switch buttons Display provides pressure reading and error messages, if applicable Configure sampling and RF parameters locally using membrane-switch buttons

Sensor

Accuracy	± 0.2% of sensor URL including combined effects of linearity, hysteresis, repeatability and temperature (applies to standard unit without isolating seals). Addition of seals will reduce accuracy due to thermal effects of fill fluid. Special ranges and accuracy may be available on request.
Field Spanning	Zero offset (to correct for positioning changes) and two-point (zero and span) calibration
Stability	Combined zero and span stability: less than ± 0.1% of sensor URL per year at 21°C (70°F)
Maximum Static Pressure	3000psi
Differential Pressure Ranges	+/- 100in H2O, +/- 300in H2O, +/- 25psi, -25 to +100psi, -25 to +300psi
RF Characteristics	<p>900MHz:</p> <ul style="list-style-type: none"> 902 to 928MHz Frequency Hopping Spread Spectrum (FHSS), FCC certified ISM license-free band 915 to 928MHz (Australia) 921 to 928MHz (New Zealand) Data Rates: 4,800, 19,200 or 76,800bps 0.4W maximum <p>2.4GHz:</p> <ul style="list-style-type: none"> 2400 to 2483.5MHz ISM license-free band Frequency Hopping Spread Spectrum (FHSS) Radio Data Rates: 50/100kbps (FSK Modulation), 200kbps (GFSK Modulation) Typical Electrical Transmit Power: +10.6dBm Typical Receive Sensitivity (0.1% BER): -102dBm @ 50kbps, -99dBm @ 100kbps, -99dBm @ 200kbps Typical CW Receiver Blocking Rejection: 64dB for CW @ +/- 5MHz, 74dB for CW @ +/- 30MHz
Self-Diagnostics	<ul style="list-style-type: none"> Low battery notification – indicates the need to replace the battery (approximately one month advance notification) Contains software and hardware that continuously monitors operation. Any sensor or device parameter that is out of spec is identified and reported

General

Operating Ambient Environment	<ul style="list-style-type: none"> -40° C to +104°C (-40° F to +220°F) process connection temperature, steady state -40°C to +85°C (-40°F to +185°F) electronics -20°C to +70°C (-4°F to +158°F) display -40°C to +85°C (-40°F to +185°F) display (extreme cold can reduce LCD visibility) Humidity: 0 to 95%, non-condensing
Materials of Construction	<ul style="list-style-type: none"> Base Plate: 304 Stainless Steel Cover: GE Lexan®, V-0 rating and UV resistant Sensor Diaphragm: 316L Stainless Steel (Hastelloy C available upon special request) Flange: 316L Stainless Steel Bolts and Nuts: High Strength Alloy Steel
Power	<ul style="list-style-type: none"> Self-contained power Standard Accutech field units include a single C-Cell (900MHz) or D-Cell (2.4GHz) lithium battery that offers battery life up to ten years of service, depending on data rates and battery options.
Sensor Filling Fluid	<ul style="list-style-type: none"> DC 200 silicone (Fluorolube® available upon special request)
Operating Shock and Vibration	Tested per IEC 60068-2-6 (vibration) and 2-27 (shock)
Random Vibration Characteristics	Tested to withstand 6 g's, 15 minutes per axis from 9 – 500Hz
Electromagnetic Compatibility	Operates within specification in fields from 80 to 1,000MHz with field strengths to 30V/m. Meets EN 50082-1 General Immunity Standard and EN 55011 compatibility emissions standard
Certifications	<p>North America HAZLOC:</p> <ul style="list-style-type: none"> cCSAus Intrinsically Safe: Exia IIC; AEx ia IIC Class I, Div. 1, Groups A, B, C & D, T3 Class 1, Zone 0, AEx ia IIC, T3 Class I, Div. 2, Groups A, B, C & D, T4 <p>ATEX/IECEX HAZLOC:</p> <ul style="list-style-type: none"> LCIE Intrinsically Safe: Ex ia IIC T3 <p>EMC & Radio:</p> <ul style="list-style-type: none"> North America : FCC , IC Europe : CE Mark (R&TTE) Australia / New Zealand : C - Tick

Disclaimer: Schneider Electric reserves the right to change product specifications. For more information visit www.schneider-electric.com.

Product Data Sheet Accutech DP20

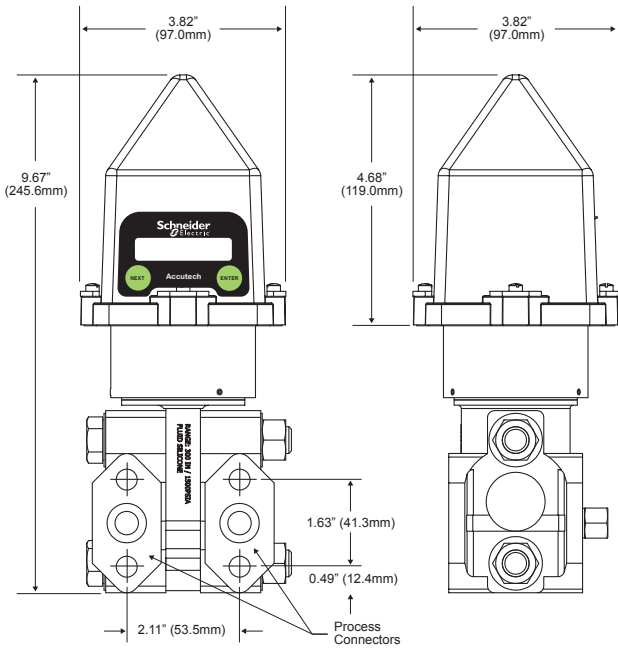
Model Code

	TBUADPTJPN00S100NS represents a typical part number.	
Model	Type	
TBUADP	Wireless Differential Pressure Field Unit	
Code	Select: RF Module Type	
T	902MHz - 928MHz band (FCC / IC)	
D	915MHz - 928MHz band (Australia)	
N	915MHz - 921MHz band (New Zealand)	
F	2.4GHz	
Code	Select: Certifications	
	<u>Intrinsically Safe Protection</u>	
J	CSA – see product data sheet for certification details	
Q	ATEX & IECEx – see product data sheet for certification details	
Code	Select: Housing & Battery Pack	
P	NEMA4 Polycarbonate Housing with 1 Cell (Available with Intrinsically Safe Rating)	
Code	Select: Future Option	
N	None	
Code	Select: Integral Antenna or Cable & Connector Interface	
00	Integral Antenna with Antenna Cover, 2.4GHz units also come with an external antenna connector	
Code	Select: Sensor Mounting	
S	Integral	
Code	Select: Sensor Range	
	Upper (URL) and Lower Range Limit	Overload Limit
100N	+/- 100in H ₂ O	3000psi
300N	+/- 300in H ₂ O	3000psi
025P	+/- 25psi	3000psi
100P	+100, -25psi	3000psi
300P	+300, -25psi	3000psi
Code	Select: Sensor Type	
S	Standard Sensor - Horizontal process connections with vertical mounting	
L	Low Profile Sensor - Vertical process connections with vertical mounting	

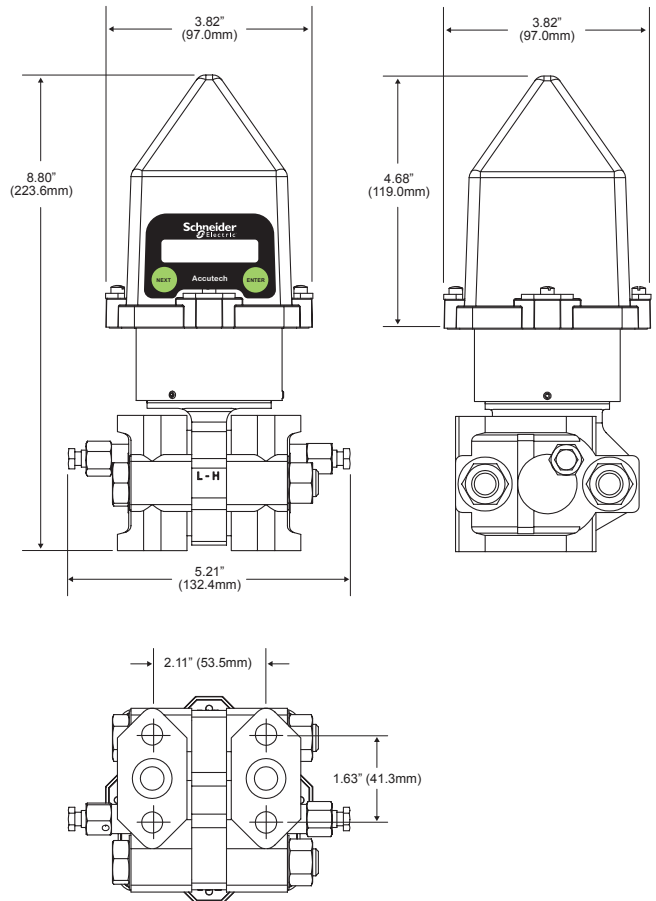
Product Data Sheet Accutech DP20
Dimensions

900MHz RF and Battery Unit
(Sensor option shown)

Side-Mount Traditional Sensor



Bottom-Mount Low-Profile Sensor



2.4GHz RF and Battery Unit
(Sensor and external antenna not shown for clarity)

