



Feedthrough Connector Modules

Feedthrough modules provide low-cost and compact field wiring screw termination solutions for quickly connecting ZIPLink cables with PLCs. Modules mount on 35mm DIN rail (part #DN-R35S1) or 15mm DIN rail (part #DN-R15S1).



ZL-RTB20-1



ZL-RTB40-1

Specifications								
Feedthrough Modules	Part #	Pcs/Pkg	Price/Pkg	Weight (lbs)	Part #	Pcs/Pkg	Price/Pkg#	Weight (lbs)
	ZL-RTB20-1	1	\$27.00	0.25	ZL-RTB40-1	1	\$46.50	0.46
Description ¹	20-Pole Feedthrough Connector Module				40-Pole Feedthrough Connector Module			
Maximum Voltage	300 VAC/VDC				36 VAC/VDC			
UL Voltage Rating ²	0-250 VAC/VDC				0-30 VAC/VDC			
Maximum Current per Circuit	2A				500mA			
Maximum Current per Common Circuit	4A				N/A			
Maximum Current per Module	40A (All conductors combined including commons)				32A (All conductors combined including commons)			
Number of Terminal Block Positions	24				48			
Operating Temperature Range	32 to 140°F (0 to 60°C)							
Terminal Block Contacts	Copper alloy, tin-lead plated							
Wire Range (Rated Cross Section) ²	12-24 AWG Solid or Stranded Copper Conductor (2.5 mm ²)							
Wire Strip Length	0.24-0.27 in (6-7 mm)							
Screw Torque	4.4 in-lbs (0.5 N-m)							
Connector Type	Molex Micro-Fit 3.0, 24 pin connector Example: Receptacle 43020-2400 Pins 43031 Series, Male				3M 34000 Series IDC Connector, strain relief is required to latch to header. Example: Socket 3417-7640, Strain relief 3448-3040			
Connecting Cables (Sold Separately)	See Wiring Selection Guides at the beginning of this section. See Connection Cable specifications tables at the end of this section.				See Wiring Selection Guides at the beginning of this section. See Connection Cable specifications tables at the end of this section.			
Cable/Wire Clearance	0.5 in (12.7 mm) Required							
Mounting Restrictions	None							
Approvals	UL 508 File E139594, Canada & USA CE (EN61131-2*)							

¹ Connecting cables are for internal wiring only.

² Use Class 2 power supply; use conductors rated 60°/75°C

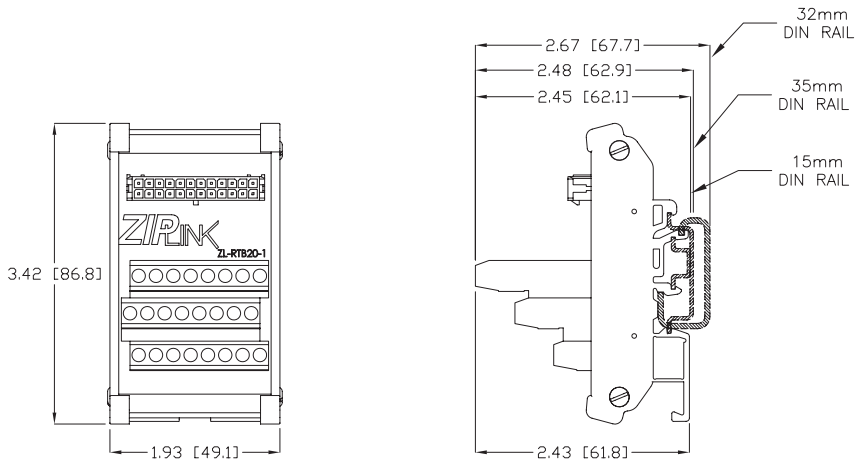


NOTE: SEE WIRING DETAILS AND DIMENSIONAL DRAWINGS ON OUR WEB SITE AT:
<http://www.automationdirect.com/static/manuals/ziplinks/ziplinks.html>.

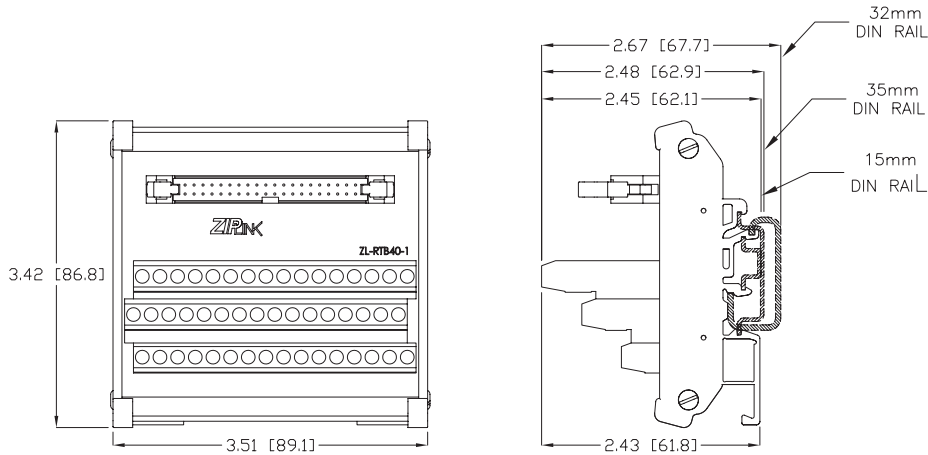


Module Dimensions

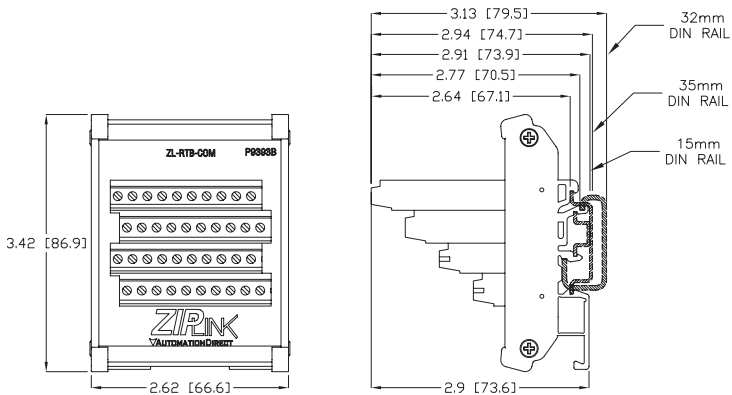
ZL-RTB20-1



ZL-RTB40-1



ZL-RTB-COM



0.098" [2.5 mm]
0.114" [2.9 mm]

All terminal block insertion point opening dimensions are the same.