

DC Output Modules

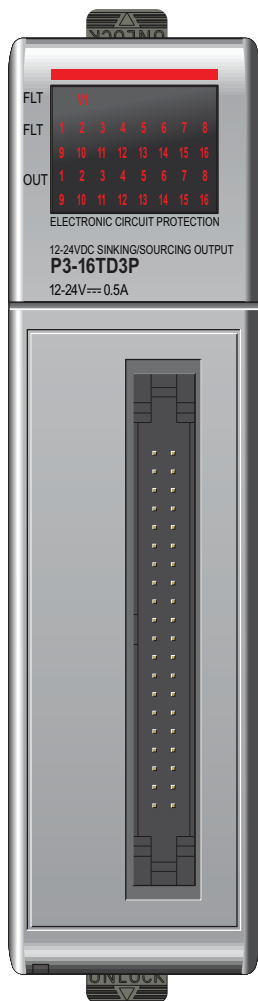
P3-16TD3P <--->

Sinking/Sourcing Protected Output

The P3-16TD3P DC Output Module provides sixteen 12-24 VDC sinking or sourcing protected outputs with four internally connected commons.

Module also detects the following faults:

1. Missing External 24 VDC
2. Open Load
3. Over Temperature
4. Over Load Current



**No terminal block
sold for this module;
ZIPLink required.**



See Wiring Solutions for part numbers of ZIPLink cables and connection modules required with this I/O module.

Output Specifications	
Outputs per Module	16 (sinking / sourcing)
Operating Voltage Range (Tolerance)	10.2 - 26.4 VDC
Maximum Output Current	0.5A continuous
On Voltage Drop	0.5 VDC
Maximum Inrush Current	Self-limited
OFF to ON Response	0.5 ms
ON to OFF Response	0.5 ms
Overcurrent Trip	1.2A min., 2.4A max.
Minimum Load Current to Avoid Open Load Fault Detection	113 μ A
Overtemperature Shutdown	Independent each output
Minimum Load Resistance (for open load detection)	58 k Ω
Status Indicators	Logic Side (16 points)
External 24V Error Indicator	Logic Side (1 points)
Fault Condition Indicator	Logic Side (16 points)
Connector Type	40-pin IDC
Commons per Module	4 (non-isolated)
Fuses	None
External DC Power Required	24 VDC \pm 10% @ 85 mA, Class 2 (must be \geq Operating voltage)*

*Note: Load voltage for source configuration must be less or equal to the external power voltage wired to the module. This requirement can be met by using a single power supply to provide both module's power (24V external power) and sourcing power for loads.

General Specifications	
Surrounding Air Temperature	0° to 60°C (32° to 140°F)
Storage Temperature	-20° to 70°C (-4° to 158°F)
Humidity	5 to 95% (non-condensing)
Environmental Air	No corrosive gases permitted
Vibration	IEC60068-2-6 (Test Fc)
Shock	IEC60068-2-27 (Test Ea)
Field to Logic Side Isolation	1800 VAC applied for 1 second
Insulation Resistance	>10 M Ω @ 500 VDC
Heat Dissipation	5.96W
Enclosure Type	Open Equipment
Agency Approvals	UL508 file E157382, Canada & USA CE (EN61131-2*)
Module Keying to Backplane	Electronic
Module Location	Any I/O slot in any local, expansion, or remote base in a Productivity3000 System.
Field Wiring	Use ZIPLink wiring system. See Wiring Solutions.
EU Directive	See the "EU Directive" topic in the Productivity3000 Help File. Information can also be obtained at: www.productivitypac.com
Weight	112.83g (3.98 oz)

*Meets EMC and Safety requirements. See the Declaration of Conformity for details.

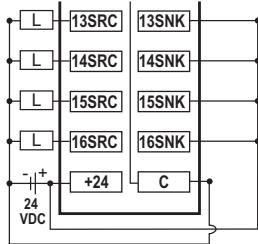
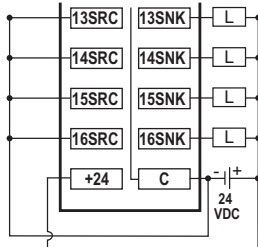
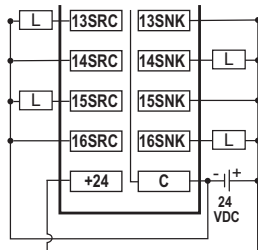
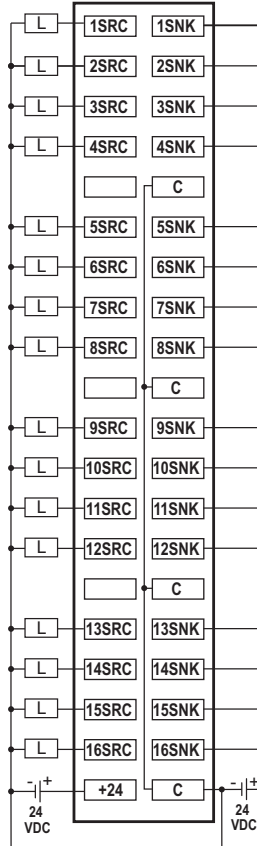
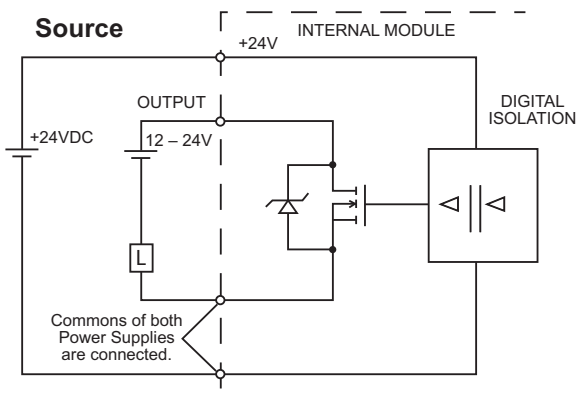
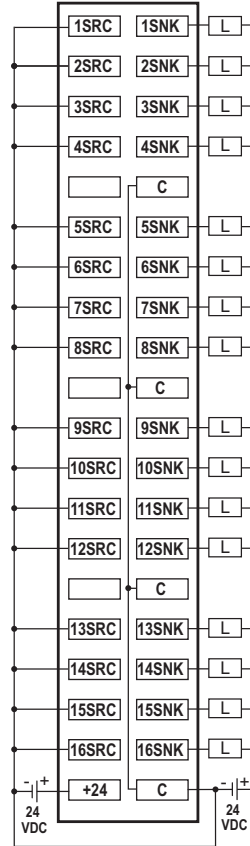
Connector Specifications	
Connector Type	IDC style header with latch, Omron XG4A-4034
Number of Pins	40 point
Pitch	0.1 in. (2.54 mm)

CPU	Firmware Required	Productivity Suite Required
P3-550	Version 1.1.12.x or later	Version 1.6.x.x or later

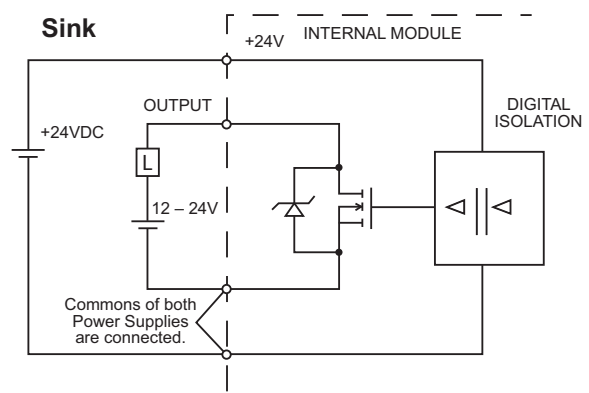
DC Output Modules

P3-16TD3P (cont'd)

Wiring Diagrams

Source Single Supply

Sink Single Supply

Sink/Source Single Supply

Source Double Supply

Sink Double Supply


NOTE: If two separate power supplies are used to supply module control logic and output, commons from both power supplies must be connected.



NOTE: If two separate power supplies are used to supply module control logic and output, commons from both power supplies must be connected.