

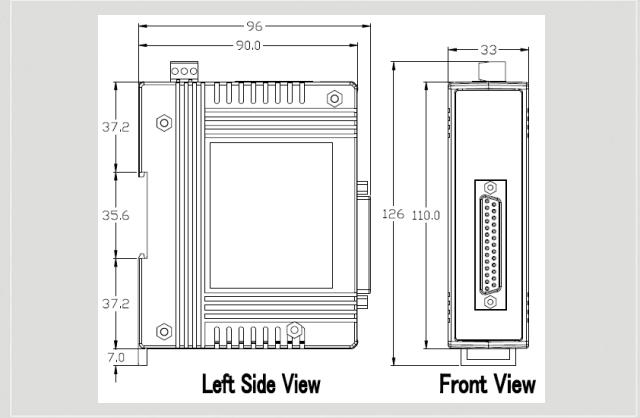


EtherNet/IP Series Products

Isolated 8-ch Thermocouple AI EtherNet/IP module



EIP-2019

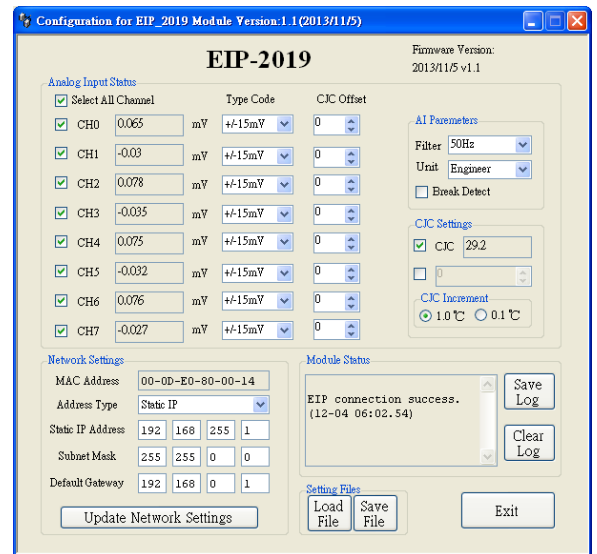


Dimensions

The EIP-2019 is an 8-ch remote analog input module. It supports not only voltage and current (internal resistors selectable) input type but also thermocouple type with B, C, E, J, K, N, R, S, T. There is an automatically cold-junction compensation (CJC) for each channel. The accuracy of the measurement is smaller than 0.1% FSR. The Module is designed as an EtherNet/IP adapter. Users can obtain the input status as well as the connection status of the EIP-2019 by the LEDs indication. In addition, ICPDAS provides software utility to easily configure and test the EIP-2000 modules via Ethernet.

Features

- Transfer protocol: EtherNet/IP
- Powerful 32-bit MCU handles efficient network traffic
- 10/100 Base-TX Ethernet, RJ-45 x 2 (Auto-negotiating, auto MDI/MDIX, LED Indicators)
- Support ARP, TCP, UDP, ICMP, DHCP, BOOTP and TFTP protocols
- Easy firmware update via Ethernet
- Removable terminal block connector
- LED display to indicate the I/O status
- 8-ch analog Inputs
- Internal resistors (125 Ω) selectable
- Support cold-junction compensation (CJC)
- RoHS compliant

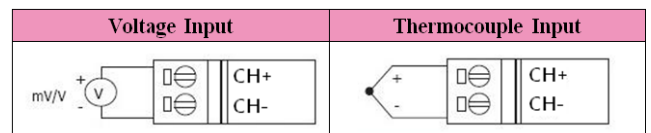


Utility Features

ICPDAS provides the EIP-2000 configuration utility for Windows 2K/XP/Vista and Win 7.

- Network parameters configuration
- AI parameters configuration
- CJC settings adjustment
- Functions configuration such as Type Code selection.
- Easy test to transmit/receive the I/O status by EtherNet/IP
- Setting files management

Wire connection

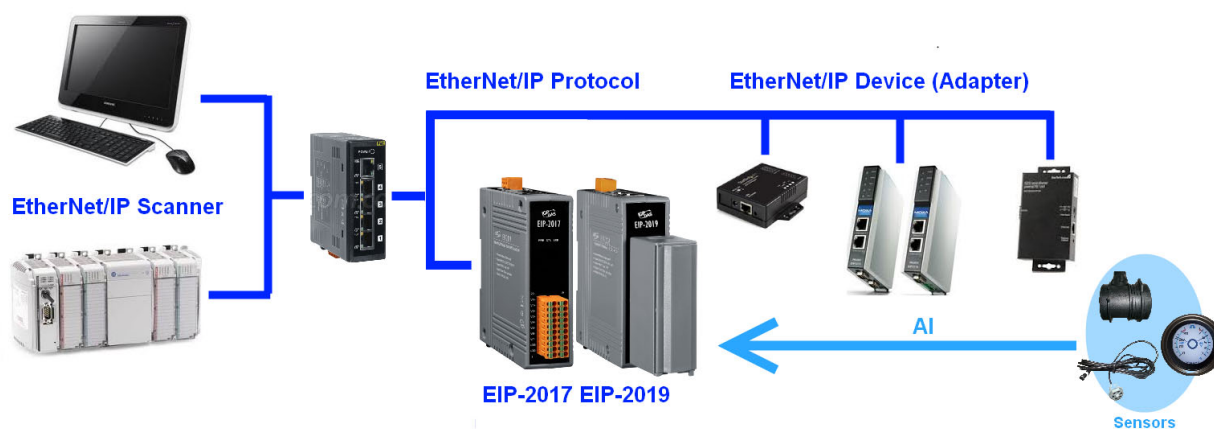




Hardware Specifications

Analog Input	
Channels	8-ch Thermocouple Analog Input
Input Type	Voltage: ± 15 mV, ± 50 mV, ± 100 mV, ± 150 mV, ± 500 mV, ± 1 V, ± 2.5 V, ± 5 V, ± 10 V
	Thermocouple :B,C,E,J,K,N,R,S,T
	Current : ± 20 mA (Jumper Selectable)
Resolution	24bits
Sampling Rate	10 samples/ second
Accuracy	+/-0.1%
Zero Drift	+/-20uV/°C
Span Drift	+/-25ppm/°C
Input Impedance	Voltage Input: >400 k Ω , Current Input: 125 Ω
Intra-Module Isolation, Field-to-Logic	3000 VDC
Overvoltage protection	240 Vrms
Individual Channel Configuration	Yes
Open Wire Detection	Yes
Communication Interface	
Connector	10/100 Base-TX, 8-pin RJ-45 x 2, Support daisy chain connection.
Standard Supported	IEEE 802.3 Ethernet/IP
Power	
Input Voltage Range	10V ~ 30V
Power Consumption	3.8W
Mechanism	
Installation	DIN-Rail
Dimensions	110mm x 90mm x 33mm (H x W x D)
Environment	
Operating Temperature	-25 ~ 75 °C
Storage Temperature	-30°C ~ +80°C

Applications



Ordering Information

EIP-2019 CR	Isolated 8-ch Thermocouple AI EtherNet/IP Module (RoHS)
--------------------	---