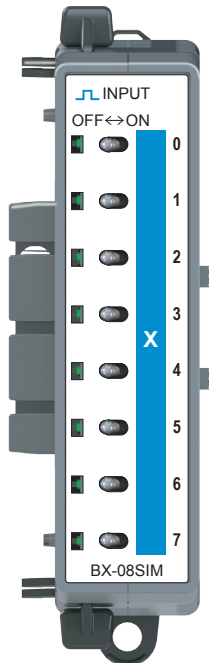


# BX-08SIM Simulator Input Module



**BX-08SIM \$47.00**

Input Module 8-pt,  
Simulator

Discrete Input Specifications	
Input Type	Simulator
Inputs per Module	8
Status Indicators	Logic Side, Green

**IMPORTANT!**



Hot-Swapping Information
<b>Note: This device cannot be Hot Swapped.</b>

# BRX Discrete Expansion Modules

## Overview

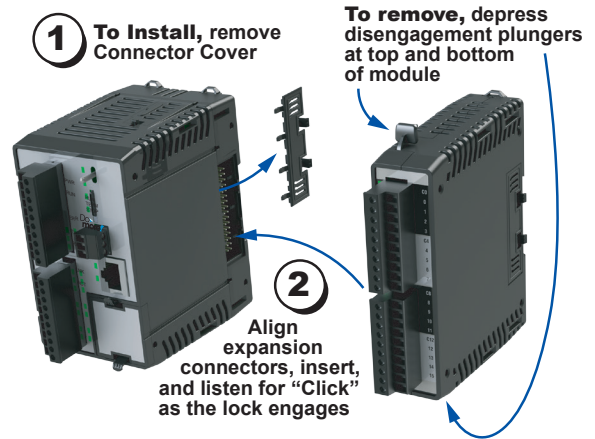
One of the unique features of the BRX platform is its ability to expand its capability to fit your application solution. One of the ways the BRX platform can do this is by using expansion modules that conveniently “snap-on” to the side of any BRX MPU. Once the expansion module has been snapped in place and is added to the project, it instantly adds I/O to the MPU with little to no additional setup required.

The expansion modules give you the ability to add discrete I/O as needed and are identified as an input module, output module or combination input/output module. On the front panel

of the discrete I/O expansion modules, a color scheme and a symbol are used to denote the module type.

Most modules are available in 5, 8, 12 or 16 point variations consisting of sink/source DC inputs/outputs, AC inputs/outputs, relay outputs and combination modules. Some are available with 32 points.

The modules ship without wiring terminals. This allows you to select the termination style that best fits your application. Several wiring options are available, including screw terminal connectors, spring clamp terminal connectors and pre-wired ZIPLink cable solutions.



**Hot-Swapping Information**

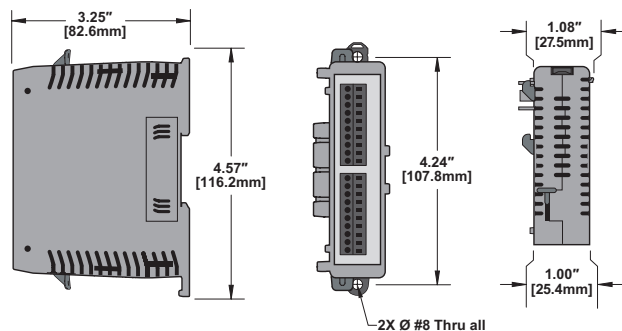
**Note: This device cannot be Hot Swapped.**

## General Specifications

All BRX discrete expansion modules have the same general specifications listed in the table below.

General Specifications	
Operating Temperature	0° to 60°C (32° to 140°F)
Storage Temperature	-20° to 85°C (-4° to 185°F)
Humidity	5 to 95% (non-condensing)
Environmental Air	No corrosive gases permitted
Vibration	IEC60068-2-6 (Test Fc)
Shock	IEC60068-2-27 (Test Ea)
Enclosure Type	Open Equipment
Noise Immunity	NEMA ICS3-304
EU Directive	See the “EU Directive” topic in the Help File
Agency Approvals	UL 61010-2 - UL File # E185989 Canada and USA CE Compliant EN61131-2

## Dimensions, inches[mm]

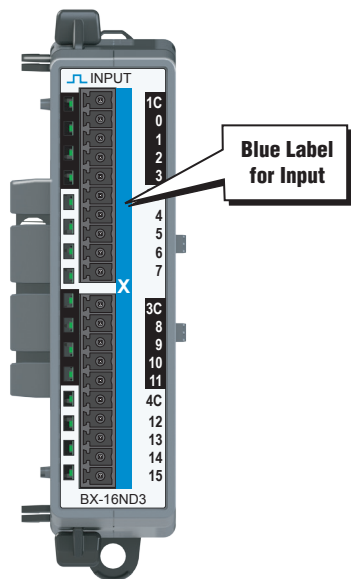


**NOTE:** When removing an expansion module make sure there is room for the module to slide away from the system. Failure to do so will result in difficulty in removing the module.

# BRX Discrete Expansion Modules

## Discrete Input Modules

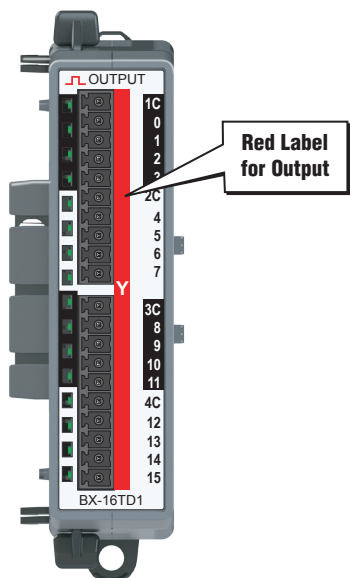
Twelve (12) discrete input modules are available in various DC and AC voltage ranges. Input module faceplates have a blue terminal bar and symbol  $\sqcup$  for easy distinction from other module types.



Discrete Input Modules			
Part Number	Points	Input Type	Price
<i>BX-08NF3</i>	8	3 – 5 VDC Sink / Source	\$38.00
<i>BX-08ND3</i>		12 – 24 VDC Sink / Source	\$38.00
<i>BX-08NB</i>		24VAC	\$36.00
<i>BX-08NA</i>		120VAC	\$38.00
<i>BX-08SIM</i>		Simulator	\$47.00
<i>BX-12ND3</i>	12	12 – 24 VDC Sink / Source	\$42.00
<i>BX-12NB</i>		24VAC	\$37.00
<i>BX-12NA</i>		120VAC	\$48.00
<i>BX-16ND3</i>	16	12 – 24 VDC Sink / Source	\$48.00
<i>BX-16NB</i>		24VAC	\$46.00
<i>BX-16NA</i>		120VAC	\$60.00
<i>BX-32ND3</i>	32	12 – 24 VDC Sink / Source	\$99.00

## Discrete Output Modules

Fourteen (14) discrete output modules are available in DC sinking, DC sourcing, AC voltage and Relay type outputs. Output module faceplates have a red terminal bar and symbol  $\sqcup$  for easy distinction from other module types.

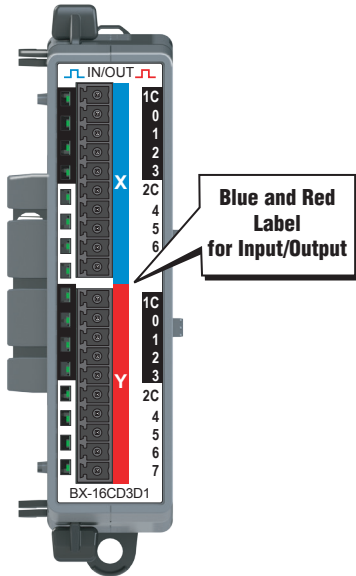


Discrete Output Modules			
Part Number	Points	Output Type	Price
<i>BX-05TRS</i>	5	Relay Form C (SPDT)	\$48.00
<i>BX-08TD1</i>	8	12 – 24 VDC Sinking	\$45.00
<i>BX-08TD2</i>		12 – 24 VDC Sourcing	\$45.00
<i>BX-08TR</i>		Relay Form A (SPST)	\$49.00
<i>BX-08TA</i>		120 – 240 VAC Triac	\$79.00
<i>BX-12TD1</i>	12	12 – 24 VDC Sinking	\$59.00
<i>BX-12TD2</i>		12 – 24 VDC Sourcing	\$59.00
<i>BX-12TR</i>		Relay Form A (SPST)	\$59.00
<i>BX-12TA</i>		120 – 240 VAC Triac	\$93.00
<i>BX-16TD1</i>	16	12 – 24 VDC Sinking	\$72.00
<i>BX-16TD2</i>		12 – 24 VDC Sourcing	\$72.00
<i>BX-16TR</i>		Relay Form A (SPST)	\$73.00
<i>BX-32TD1</i>	32	12 – 24 VDC Sinking	\$99.00
<i>BX-32TD2</i>		12 – 24 VDC Sourcing	\$99.00

# BRX Discrete Expansion Modules

## Discrete Combo Input / Output Modules

Five discrete input/output combo modules are available with DC sink/source inputs and sink/source/relay outputs. The Input/Output faceplate terminal bar is in blue and red, making it easy to distinguish between inputs and outputs and from other module types.



Discrete Combo Input / Output Modules					
Part Number	Points		Input Type	Output Type	Price
	Input	Output			
<i>BX-08CD3R</i>	4	4	12–24 VDC Sink / Source	Relay Form A (SPST)	\$51.00
<i>BX-12CD3D1</i>	8	4		12–24 VDC Sinking	\$49.00
<i>BX-12CD3D2</i>				12–24 VDC Sourcing	\$49.00
<i>BX-16CD3D1</i>	8	8		12–24 VDC Sinking	\$61.00
<i>BX-16CD3D2</i>				12–24 VDC Sourcing	\$61.00