

The RJ12 multi-port distribution modules allow for fast and convenient RS485 multi-drop connections.

Uses include serial network communication multi-drop to GS series drives, DuraPulse drives and SureServo drives.

Modules mount on 35 mm DIN rail part #DN-R35S1.



ZL-CDM-RJ12X4



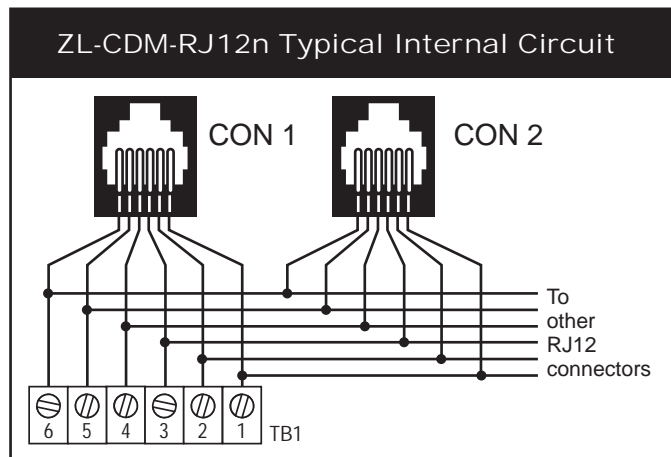
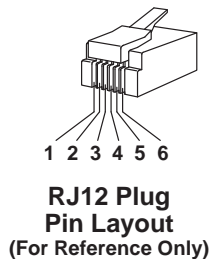
ZL-CDM-RJ12X10

Specifications						
Communication Distribution Modules	Part #	Pcs/Pkg	Price/Pkg	Part #	Pcs/Pkg	Price/Pkg
	ZL-CDM-RJ12X4	1	<--->	ZL-CDM-RJ12X10	1	<--->
Description**	4-port RJ12 Communication Distribution Module			10-port RJ12 Communication Distribution Module		
Approvals	File # E200031 UL, cUL, Class 1, Division 2, Groups A,B,C,D Hazardous Locations, CE, EN 61131-2:2007					
Voltage Rating***	30VDC					
Maximum Current per Circuit	1A					
Number of Circuits per RJ12	6					
Terminal Block Contacts	Copper alloy, tin-lead plated					
Wire Range (Rated Cross Section)*	12-24AWG Solid or Stranded Copper Conductor (2.5mm ²)					
Wire Strip Length	0.24-0.27" (6-7mm)					
Screw Torque	4.4 in-lbs (0.5 Nm)					
Connecting Cables (Sold Separately)	ZL-RJ12-CBL-2, ZL-RJ12-CBL-2P, GS-RJ12-CBL-2, ZL-SVC-232RJ12-CBL-2 See Connection Cable specifications tables at the end of this section.					
Surrounding Temperature Range	32 to 140°F (0 to 60°C)					
Dimensions (WxHxD)	1.56" x 3.42" x 1.65" (39.5mm x 86.8mm x 41.8mm)			2.88" x 3.42" x 1.65" (73.2mm x 86.8mm x 41.8mm)		
Cable/Wire Clearances	0.5" (12.7mm) Required					
Mounting Restrictions	None					

* Use conductors rated for 60°/75°C.

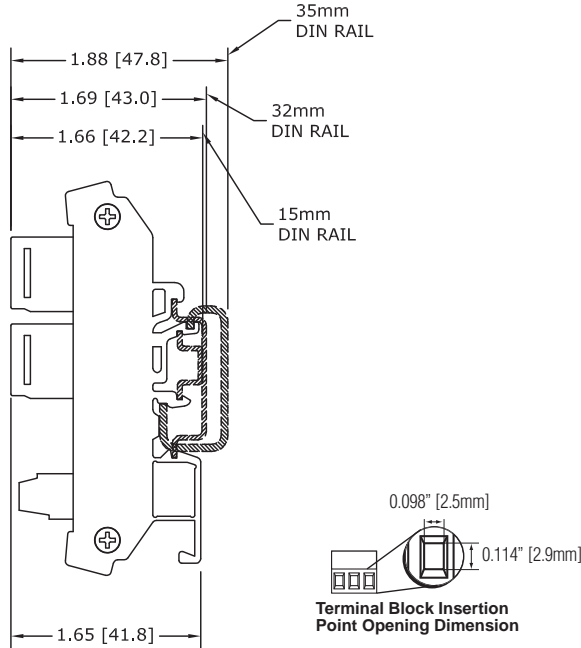
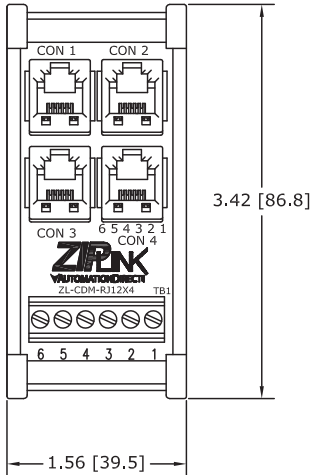
**Connecting cables are for internal wiring only.

***Use Class 2 power supply.

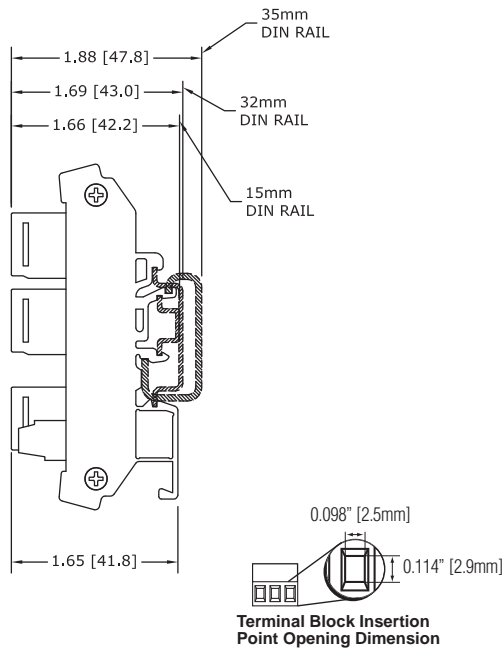
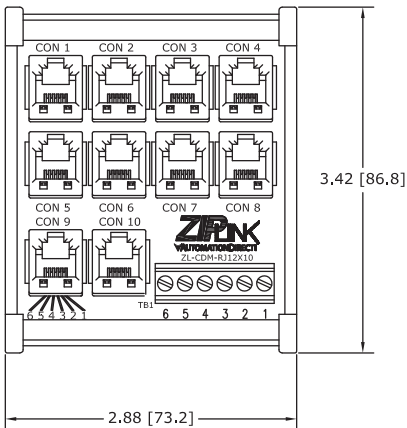


Note: See wiring details and dimensional drawings on our Web site at:
<http://www.automationdirect.com/static/manuals/ziplinks/ziplinks.html>

ZL-CDM-RJ12X4



ZL-CDM-RJ12X10



Note: Dimensions shown in Inches [mm]

GS/DuraPulse/SureServo Drive Wiring Solutions

Drive Communication Cable Selection	
Step 1	Select Drive
Step 2	Select Network Type Protocol
Step 3	Select PLC Type
Step 4	Select Port
Step 5	Cable Type

Note: If a PLC type or PLC port is not listed in the selection charts, it does not support modbus RTU.

Step1: Select Drive	Step3: PLC	CLICK	DL05	DL06	
	Step 4: Port	Port 2	Port 2	Port 1	Port 2
GS1	Step 2: Network Type Protocol	Step 5: Select Cable Type			
	RS485 Modbus RTU	Not Possible	Not Possible	Not Possible	GS-485HD15-CBL
GS2	RS232 Modbus RTU	Not Possible	GS-RJ12-CBL-2	Not Possible	FA-15HD + GS-RJ12-CBL-2
	RS485 Modbus RTU	Not Possible	Not Possible	Not Possible	GS-485HD15-CBL
DuraPulse	RS485 Modbus RTU	Not Possible	Not Possible	Not Possible	GS-485HD15-CBL
SureServo	RS232 Modbus RTU	SVC-232RJ12-CBL-2	SVC-232RJ12-CBL-2	Not Possible	FA-15HD + SVC-232RJ12-CBL-2
	RS485 Modbus RTU	Not Possible	Not Possible	Not Possible	SVC-485HD15-CBL-2

Step1: Select Drive	Step3: PLC	D2-250-1	D2-260		D4-450
	Step 4: Port	Port 2	Port 1	Port 2	Port 3
GS1	Step 2: Network Type Protocol	Step 5: Cable Type			
	RS485 Modbus RTU	Not Possible	Not Possible	GS-485HD15-CBL-2	Not Possible
GS2	RS232 Modbus RTU	FA-15HD + GS-RJ12-CBL-2	Not Possible	FA-15HD + GS-RJ12-CBL-2	FA-CABKIT + GS-RJ12-CBL-2
	RS485 Modbus RTU	Not Possible	Not Possible	GS-485HD15-CBL-2	Not Possible
DuraPulse	RS485 Modbus RTU	Not Possible	Not Possible	GS-485HD15-CBL-2	Not Possible
SureServo	RS232 Modbus RTU	FA-15HD + SVC-232RJ12-CBL-2	Not Possible	FA-15HD + SVC-232RJ12-CBL-2	FA-CBLKIT + SVC-232RJ12-CBL-2
	RS485 Modbus RTU	Not Possible	Not Possible	SVC-485HD15-CBL-2	Not Possible

Feedthrough Connector Module ZL-RTB50 Connecting Cables		
Part Number	Description	Price
ZL-SVC-CBL50	Shielded twisted pair cable with 50-pin connectors to connect any SureServo amplifier to a ZL-RTB50 module, 28 AWG, 1.6 ft. (0.5m)	<--->
ZL-SVC-CBL50-1	Shielded twisted pair cable with 50-pin connectors to connect any SureServo amplifier to a ZL-RTB50 module, 28 AWG, 3.3 ft. (1.0m)	<--->
ZL-SVC-CBL50-2	Shielded twisted pair cable with 50-pin connectors to connect any SureServo amplifier to a ZL-RTB50 module, 28 AWG, 6.6 ft. (2.0m)	<--->

ZIPLink Connector Modules specifications follow the Compatibility Matrix tables.

ZIPLink Cables specifications are at the end of this ZIPLink section.