

Communication adaptors eliminate the hassle associated with connecting crimp or solder connectors to PLC communication ports. The communication adapters offer fast and convenient screw terminal connections for the DL06, D2-250-1 and D2-260 CPUs.

The ZL-CMA15L adapter offers transmit and receive LEDs, a jumper selectable network termination resistor, and circuit surge protection.



ZL-CMA15



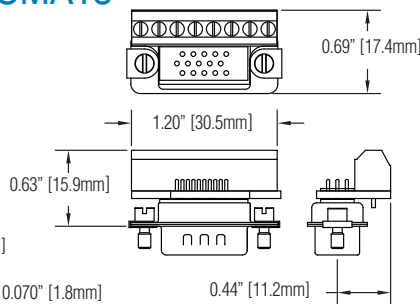
ZL-CMA15L

Specifications								
Communication Port Adapters	Part #	Pcs/Pkg	Price/Pkg	Weight (lbs)	Part #	Pcs/Pkg	Price/Pkg	Weight (lbs)
	ZL-CMA15	1	<--->	0.04	ZL-CMA15L	1	<--->	0.06
Description	DL06, D2-250-1 and D2-260 PLC Port 2 adapter: HD 15-pin D-sub to terminal block							
Approvals	File # E200031 Approved for use in Class 1 Division 2, Groups A, B, C, D Hazardous Locations							
Communications Interface	RS232, RS422, RS485							
Indication Transmit Data	N/A			Green LED				
Indication Receive Data	N/A			Green LED				
RS232 Surge Protection	N/A			2 Circuits clamped by zener transient voltage suppressors				
RS422/485 Surge Protection	N/A			4 Circuits clamped by low capacitance zener diodes				
RS422/485 Network Termination Resistor	N/A			Jumper Selectable 120Ω				
Voltage Rating*	30VDC							
Maximum Current per Circuit	1A							
Supported Signal Types	RS422/485 TXD+		RS422/485 TXD-		RS422/485 RXD+		RS422/485 RXD-	
Terminal Block Contacts	Copper alloy, tin-lead plating							
Wire Range (Rated Cross Section)**	16-30AWG Solid or Stranded Conductor (1.5mm ²)				16-28AWG Solid or Stranded Conductor (1.5mm ²)			
Wire Strip Length	0.24-0.27" (6-7mm)							
Screw Torque	1.7 in-lbs (0.2 Nm)							
Operating Temperature Range	32 to 140°F (0 to 60°C)							
Dimensions (W x H x D)	1.20" x 0.69" x 0.63" (30.5mm x 17.4 mm x 15.9mm)				1.31" x 0.64" x 2.72" (33.2mm x 16.2 mm x 69.2mm)			

* Use Class 2 power supply.

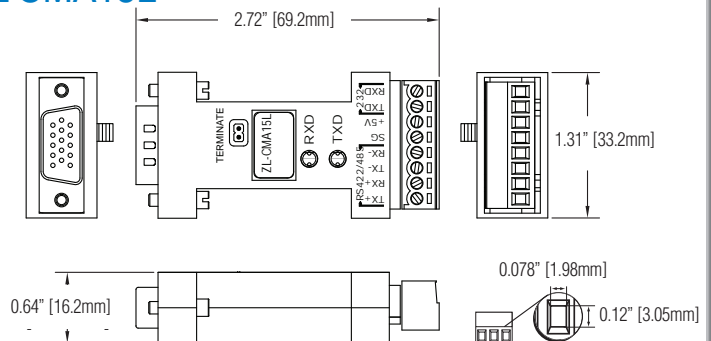
** Use conductors rated for 60°/75°C.

ZL-CMA15



Terminal Block Insertion Point Opening Dimension

ZL-CMA15L



Terminal Block Insertion Point Opening Dimension

Note: See wiring details and dimensional drawings on our Web site at: <http://www.automationdirect.com/static/manuals/ziplinks/ziplinks.html>

PLC I/O Modules to ZIPLink Connector Modules - DL05/06

DL05/06 PLC Input Module ZIPLink Selector				
PLC		ZIPLink		
Input Module	# of Terms	Component	Module Part No.	Cable Part No.
D0-10ND3	13	Feedthrough	ZL-RTB20	ZL-D0-CBL13*
D0-10ND3F	13	Feedthrough	ZL-RTB20	ZL-D0-CBL13*
D0-16ND3	24	Feedthrough	ZL-RTB20	ZL-D0-CBL24*L
		Sensor	ZL-LTB16-24	ZL-D0-CBL24*L
F0-08NA-1	10	Feedthrough	ZL-RTB20	ZL-D0-CBL10*

DL05/06 PLC Combo In/Out Module ZIPLink Selector				
PLC		ZIPLink		
Combo Module	# of Terms	Component	Module Part No.	Cable Part No.
D0-07CDR	10	Feedthrough	ZL-RTB20	ZL-D0-CBL10*
D0-08CDD1	13	Feedthrough	ZL-RTB20	ZL-D0-CBL13*

DL05/06 PLC Analog Module ZIPLink Selector				
PLC		ZIPLink		
Analog Module	# of Terms	Component	Module	Cable
F0-04AD-1	8	Feedthrough	ZL-RTB20	ZL-D0-CBL8*
F0-04AD-2	8	Feedthrough	ZL-RTB20	ZL-D0-CBL8*
F0-08ADH-1	13	Feedthrough	ZL-RTB20	ZL-D0-CBL13*
F0-08ADH-2	13	Feedthrough	ZL-RTB20	ZL-D0-CBL13*
F0-04DAH-1	13	Feedthrough	ZL-RTB20	ZL-D0-CBL13*
F0-08DAH-1	13	Feedthrough	ZL-RTB20	ZL-D0-CBL13*
F0-04DAH-2	13	Feedthrough	ZL-RTB20	ZL-D0-CBL13*
F0-08DAH-2	13	Feedthrough	ZL-RTB20	ZL-D0-CBL13*
F0-2AD2DA-2	8	Feedthrough	ZL-RTB20	ZL-D0-CBL8*
F0-4AD2DA-1	8	Feedthrough	ZL-RTB20	ZL-D0-CBL8*
F0-4AD2DA-2	8	Feedthrough	ZL-RTB20	ZL-D0-CBL8*
F0-04RTD ²	Matched Only		See Note 2	
F0-04THM ²	Matched Only		See Note 2	

NOTE: ZIPLINK CONNECTOR MODULES SPECIFICATIONS FOLLOW THE COMPATIBILITY MATRIX TABLES. ZIPLINK CABLES SPECIFICATIONS ARE AT THE END OF THIS ZIPLINK SECTION.

DL05/06 PLC Output Module ZIPLink Selector				
PLC		ZIPLink		
Output Module	# of Terms	Component	Module Part No.	Cable Part No.
D0-10TD1	13	Feedthrough	ZL-RTB20	ZL-D0-CBL13*
D0-16TD1	24	Feedthrough	ZL-RTB20	ZL-D0-CBL24*
		Fuse	ZL-RFU20 ³	ZL-D0-CBL24*
		Relay (sinking)	ZL-RRL16-24-1	ZL-D0-CBL24*
D0-10TD2	13	Feedthrough	ZL-RTB20	ZL-D0-CBL13*
D0-16TD2	24	Feedthrough	ZL-RTB20	ZL-D0-CBL24*
		Fuse	ZL-RFU20 ³	ZL-D0-CBL24*
		Relay (sourcing)	ZL-RRL16-24-2	ZL-D0-CBL24*
D0-08TR	10	Feedthrough	ZL-RTB20	ZL-D0-CBL10*
F0-04TRS ¹	13	Feedthrough	ZL-RTB20	ZL-D0-CBL13*

DL05/06 PLC Fixed I/O ZIPLink Selector				
PLC		ZIPLink		
PLC	# of Terms	Component	Module Part No.	Cable Part No.
DL05	18	Feedthrough	ZL-RTB20	ZL-D05-CBL18*
DL06	20 (Input side only)	Feedthrough	ZL-RTB20	ZL-D06X-CBL20*
	20 (Output side only)	Feedthrough	ZL-RTB20	ZL-D06Y-CBL20*

* Select the cable length by replacing the * with: Blank = 0.5m, -1 = 1.0m, or -2 = 2.0m.

¹ Caution: The F0-04TRS relay outputs are derated not to exceed 2A per point when used with the ZIPLink wiring system.

² These modules are not supported by the ZIPLink wiring system.

³ Note: Fuses (5 x 20 mm) are not included. See Edison Electronic Fuse section for (5 x 20 mm) fuse. S500 and GMA electronic circuit protection for fast-acting maximum protection. S506 and GMC electronic circuit protection for time-delay performance. Ideal for inductive circuits. To ensure proper operation, do not exceed the voltage and current rating of ZIPLink module. ZL-RFU20 = 2A per circuit; ZL-RFU40 = 400 mA per circuit.



PLC I/O Modules to ZIPLink Connector Modules - DL205

DL205 PLC Input Module ZIPLink Selector				
PLC		ZIPLink		
Input Module	# of Terms	Component	Module Part No.	Cable Part No. †
D2-08ND3	10	Feedthrough	ZL-RTB20	ZL-D2-CBL10*
D2-16ND3-2	19	Feedthrough	ZL-RTB20	ZL-D2-CBL19*
		Sensor	ZL-LTB16-24	ZL-D2-CBL19*
D2-32ND3 ¹	40	Feedthrough	ZL-RTB40	ZL-D24-CBL40*
				ZL-D24-CBL40*X
D2-32ND3-2 ¹	40	Sensor	ZL-LTB32-24	ZL-D24-CBL40*
				ZL-D24-CBL40*X
D2-08NA-1	10	Feedthrough	ZL-RTB20	ZL-D24-CBL40*
				ZL-D24-CBL40*X
D2-08NA-2	10	Feedthrough	ZL-RTB20	ZL-D24-CBL40*
				ZL-D24-CBL40*X
D2-12NA	19	Feedthrough	ZL-RTB20	ZL-D2-CBL19*

† X in the part number represents a 45° angle.

DL205 PLC Combo In/Out Module ZIPLink Selector				
PLC		ZIPLink		
Combo Module	# of Terms	Component	Module Part No.	Cable Part No.
D2-08CDR	10	Feedthrough	ZL-RTB20	ZL-D2-CBL10*

DL205 PLC Analog Module ZIPLink Selector				
PLC		ZIPLink		
Analog Module	# of Terms	Component	Module	Cable
F2-04AD-1	10	Feedthrough	ZL-RTB20	ZL-D2-CBL10*
F2-04AD-1L	10	Feedthrough	ZL-RTB20	ZL-D2-CBL10*
F2-08AD-1	10	Feedthrough	ZL-RTB20	ZL-D2-CBL10*
F2-04AD-2	10	Feedthrough	ZL-RTB20	ZL-D2-CBL10*
F2-04AD-2L	10	Feedthrough	ZL-RTB20	ZL-D2-CBL10*
F2-08AD-2	10	Feedthrough	ZL-RTB20	ZL-D2-CBL10*
F2-02DA-1	10	Feedthrough	ZL-RTB20	ZL-D2-CBL10*
F2-02DA-1L	10	Feedthrough	ZL-RTB20	ZL-D2-CBL10*
F2-02DAS-1	10	Feedthrough	ZL-RTB20	ZL-D2-CBL10*
F2-08DA-1	19	Feedthrough	ZL-RTB20	ZL-D2-CBL19*
F2-02DA-2	10	Feedthrough	ZL-RTB20	ZL-D2-CBL10*
F2-02DA-2L	10	Feedthrough	ZL-RTB20	ZL-D2-CBL10*
F2-02DAS-2	10	Feedthrough	ZL-RTB20	ZL-D2-CBL10*
F2-08DA-2	10	Feedthrough	ZL-RTB20	ZL-D2-CBL10*
F2-4AD2DA	10	Feedthrough	ZL-RTB20	ZL-D2-CBL10*
F2-8AD4DA-1	19	Feedthrough	ZL-RTB20	ZL-D2-CBL19*
F2-8AD4DA-2	19	Feedthrough	ZL-RTB20	ZL-D2-CBL19*
F2-04RTD ⁴	Matched Only		See Note 4	
F2-04THM ⁴	Matched Only		See Note 4	



DL205 PLC Output Module ZIPLink Selector				
PLC		ZIPLink		
Output Module	# of Terms	Component	Module Part No.	Cable Part No. †
D2-04TD1 ²	10	Feedthrough	ZL-RTB20	ZL-D2-CBL10*
D2-08TD1	10	Feedthrough	ZL-RTB20	ZL-D2-CBL10*
D2-08TD2	10	Feedthrough	ZL-RTB20	ZL-D2-CBL10*
D2-16TD1-2	19	Feedthrough	ZL-RTB20	ZL-D2-CBL19*
		Fuse	ZL-RFU20 ⁵	ZL-D2-CBL19*
		Relay	ZL-RRL16-24-1	ZL-D2-CBL19*
D2-16TD2-2	19	Feedthrough	ZL-RTB20	ZL-D2-CBL19*
		Fuse	ZL-RFU20	ZL-D2-CBL19*
F2-16TD1P	19	Relay	ZL-RRL16-24-2	ZL-D2-CBL19*
		Feedthrough	ZL-RTB20	ZL-D2-CBL19*
F2-16TD2P	19	Relay	ZL-RRL16-24-2	ZL-D2-CBL19*
		Feedthrough	ZL-RTB20	ZL-D2-CBL19*
D2-32TD1 ¹	40	Feedthrough	ZL-RTB40	ZL-D24-CBL40*
		Fuse	ZL-RFU40 ⁵	ZL-D24-CBL40*
				ZL-D24-CBL40*X
D2-32TD2 ¹	40	Feedthrough	ZL-RTB40	ZL-D24-CBL40*
				ZL-D24-CBL40*X
		Fuse	ZL-RFU40 ⁵	ZL-D24-CBL40*
D2-08TA	10	Feedthrough	ZL-RTB20	ZL-D2-CBL10*
F2-08TA	10	Feedthrough	ZL-RTB20	ZL-D2-CBL10*
D2-12TA	19	Feedthrough	ZL-RTB20	ZL-D2-CBL19*
		Fuse	ZL-RFU20 ⁵	ZL-D2-CBL19*
D2-04TRS ³	10	Feedthrough	ZL-RTB20	ZL-D2-CBL10*
D2-08TR	10	Feedthrough	ZL-RTB20	ZL-D2-CBL10*
F2-08TRS ³	19	Feedthrough	ZL-RTB20	ZL-D2-CBL19*
F2-08TR ⁴	10	Feedthrough	ZL-RTB20	ZL-D2-CBL10*
D2-12TR	19	Feedthrough	ZL-RTB20	ZL-D2-CBL19*
		Fuse	ZL-RFU20 ⁵	ZL-D2-CBL19*

† X in the part number represents a 45° angle plug

* Select the cable length by replacing the * with: Blank = 0.5m, -1 = 1.0m, or -2 = 2.0m.

¹ To make a custom cable for the 32-point modules, use: Ribbon-style Connector ZL-D24-CON-R, Solder-style 180° connector ZL-D24-CON or Solder-style 45° connector ZL-D24-CON-X

² Caution: The D2-04TD1, D2-04TRS, and F2-08TRS outputs are derated not to exceed module specs 2A per point and 2A per common when used with the ZIPLink wiring system.

³ The F2-08TR outputs are derated not to exceed 2A per point and 4A per common when used with the ZIPLink wiring system.

⁴ The F2-04RTD and F2-04THM modules are not supported by the ZIPLink wiring system.

⁵ Note: Fuses (5 x 20 mm) are not included. See Edison Electronic Fuse section for (5 x 20 mm) fuse. S500 and GMA electronic circuit protection for fast-acting maximum protection. S506 and GMC electronic circuit protection for time-delay performance. Ideal for inductive circuits. To ensure proper operation, do not exceed the voltage and current rating of ZIPLink module. ZL-RFU20 = 2A per circuit; ZL-RFU40 = 400 mA per circuit.



NOTE: ZIPLINK CONNECTOR MODULES SPECIFICATIONS FOLLOW THE COMPATIBILITY MATRIX TABLES. ZIPLINK CABLES SPECIFICATIONS ARE AT THE END OF THIS ZIPLINK SECTION.