

JetWave 5.8G 15dBi Directional Panel Antenna

JWDA-5.8G-15dBi-DP-2xNF

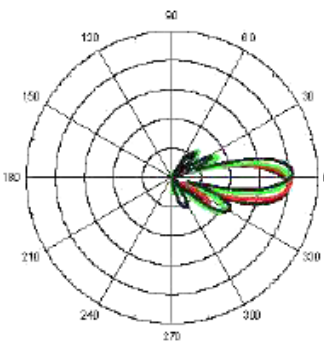


- ▶ Antenna Type : Directional Panel Antenna
- ▶ Frequency : 5.1~5.8GHz
- ▶ Gain : 15~16 dBi
- ▶ Connector : 2 x N-Type Female
- ▶ Polarization : Linear, Dual Polarization
- ▶ Dimension : 210 x 210 x 73mm
- ▶ Temperature : -40~80°C
- ▶ Apply to : JetWave 3000/2800
(Required relevant Antenna Cable)

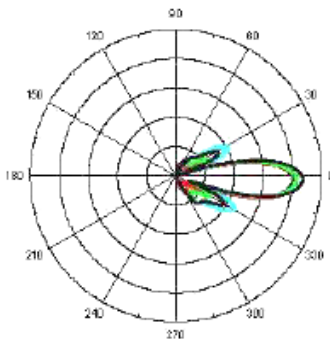
Specification

Horizontal

Port 1

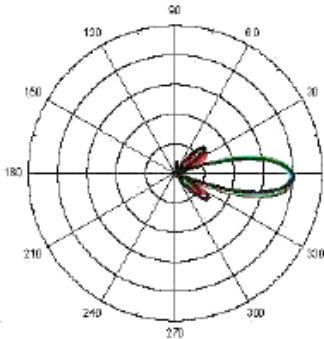


Port 2

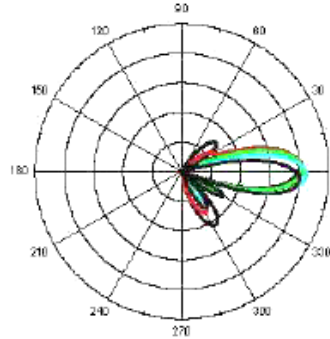


Vertical

Port 1



Port 2



Features

Antenna Type	Directional Panel Antenna
Frequency	5.1~5.8GHz
Gain	15 ~ 16 dBi
Polarization	Linear, Dual Polarization
Power handling	6W Max
Impedance	50 Ohm
HPBW/horizontal	15~19°
HPBW/vertical	17~21°
V.S.W.R(Max)	2.0 : 1

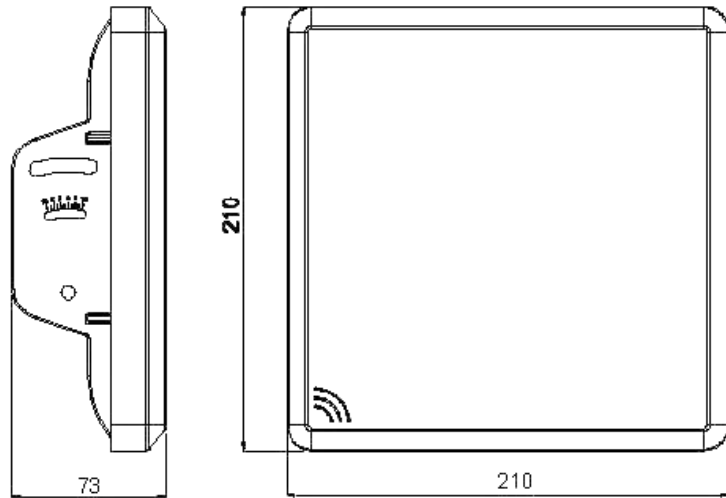
Mechanical & Environmental

Connector	2 x N-Type Female
Radome color	Gray-white
Radome Material	ABS, UV resistant
Dimension	210 x 210 x 73mm
Weight	800g
Temperature	-40~80°C

Apply Model & Antenna Cable

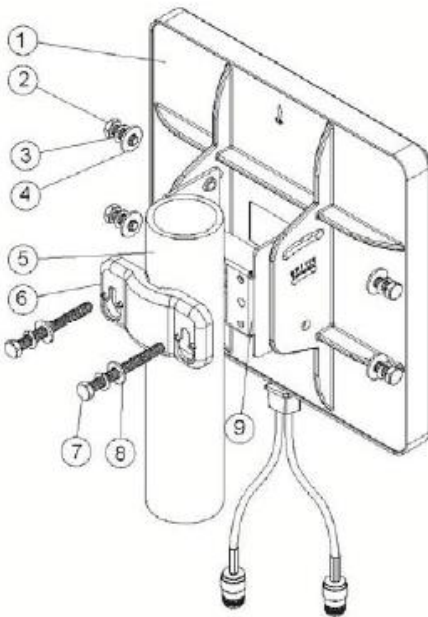
JetWave 3000	2 x RSM-NM-CFD200-1.5M
JetWave 2800	2 x NM-NM-CFD400-1M

Dimension (Unit = mm)



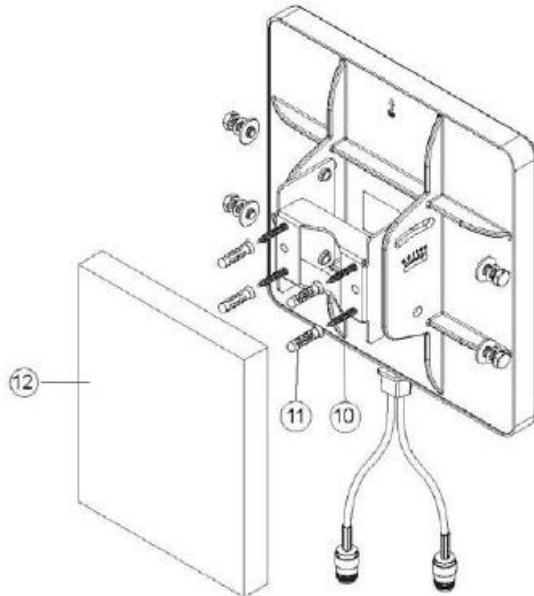
Mounting Configuration

Pole mount



- ① Antenna body - 1 pc
- ② M6*16 screw - 4 pcs
- ③ M6 S/W- 6 pcs
- ④ M6 W(16mm) - 4 pcs
- ⑤ Pole(Max. 2inch)
- ⑥ Lock frame - 1 pc

Wall mount



- ⑦ M6*60 screw - 2 pcs
- ⑧ M6 W(12mm) - 2 pcs
- ⑨ M-shape mounting - 1 pc
- ⑩ Screw - 4 pcs
- ⑪ Anchor - 4 pcs
- ⑫ Wall