

JetWave 2.4G 5dBi Omni Directional Antenna

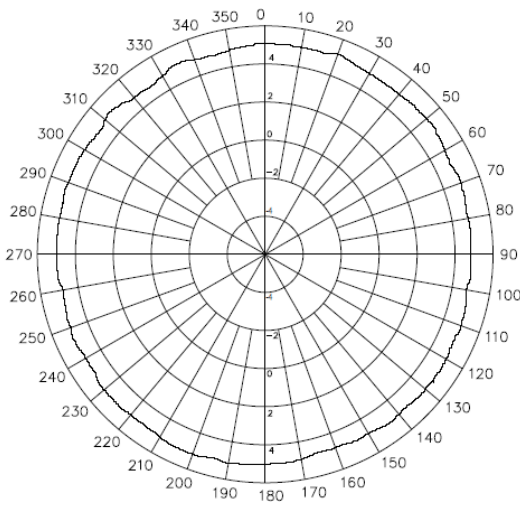
JWA-2.4G-5dBi-NF



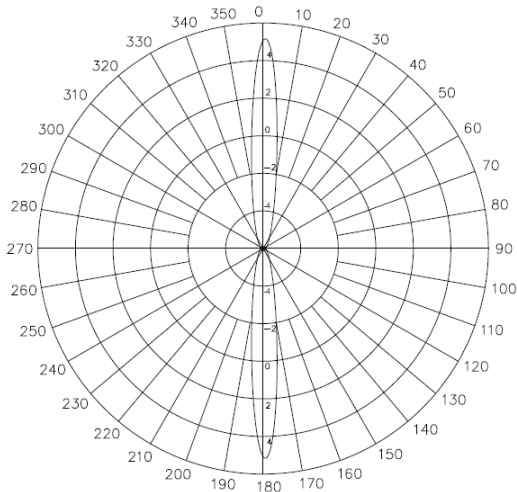
- ▶ Antenna Type : Omni Directional Antenna
- ▶ Frequency : 2.4-2.5GHz
- ▶ Gain : 5 dBi
- ▶ Connector : N-Type Female
- ▶ Polarization : Linear
- ▶ Dimension : 70 x 54 x 220mm
- ▶ Temperature : -40~60°C
- ▶ Apply to : JetWave 3000/2800/2450/2316/2311
(Required relevant Antenna Cable)

Specification

Horizontal

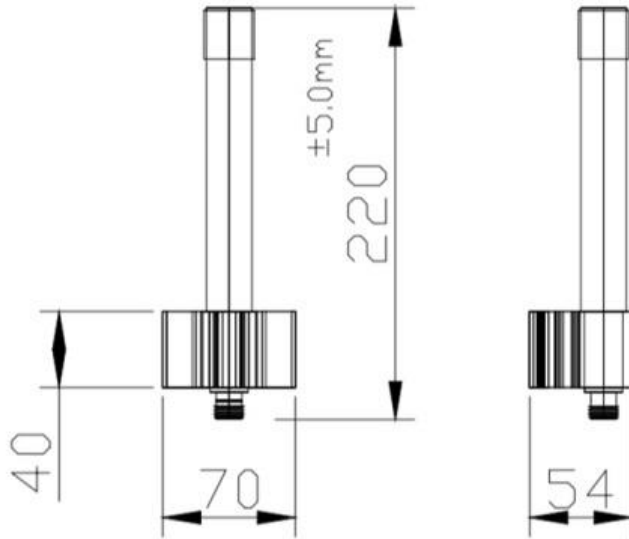


Vertical



Features	
Antenna Type	Omni Directional Antenna
Frequency	2.4~2.5GHz
Gain	5 dBi
Polarization	Linear
Power handling	50W Max
Impedance	50 Ohm
HPBW/horizontal	360°
HPBW/vertical	20°
V.S.W.R(Max)	1.3 : 1
Mechanical & Environmental	
Connector	N-Type Female
Radome color	White
Radome Material	Glass fiber
Dimension	70 x 54 x 220mm
Weight	330g
Temperature	-40~60°C
Apply Model & Antenna Cable	
JetWave 3000	1 x RSM-NM-CFD200-1.5M
JetWave 2800	1 x NM-NM-CFD400-1M
JetWave 2450	1 x NF-NM-CFD400-1M (For Extension)
JetWave 2311 JetWave 2316	1 x RSM-NM-CFD200-1.5M

Dimension (Unit = mm)



Mounting Configuration

