

EAT•N AEGIS Powerline Filters

The AEGIS Series Powerline filters/surge protectors are specifically designed to protect against the full spectrum of transient disturbances and are engineered to filter the entire sine wave. The Powerline filters are designed to react instantly to changes in voltage regardless of phase angle or polarity. As a result, AEGIS devices are effective against both low- and high-energy transients to prevent immediate equipment damage and failure of sensitive electronic equipment over time. Select the hybrid (ADPH) when the equipment value is the higher or the highest level of RFI/EMI protection is required.

Features

- Compact design
- DIN rail included 35 mm
- Meets latest UL safety standards for SPD (surge protective device) and EMI filtering protection
- Contains no replaceable parts or items that require periodic maintenance
- Alarm contact available (ADPH series only)
- 10-year warranty
- UL1449 3rd Ed – Type 2 SPD

Applications

- Process control systems
- Operator interface stations
- Programmable logic controllers (PLCs)
- Scanning devices
- Automatic teller machines (ATMs)
- Cash registers
- Alarm systems
- Robotics
- Control equipment
- CAD/CAM systems



ADPH12010

AEGIS Powerline Filters		
Part Number	Description	Price
ADPV12001	120VAC input, 1A w/LED	\$190.00
ADPV12003	120VAC input, 3A w/LED	\$219.00
ADPV12005	120VAC input, 5A w/LED	\$253.00
ADPV24001	240VAC input, 1A w/LED	\$200.00
ADPV24003	240VAC input, 3A w/LED	\$229.00
ADPV24005	240VAC input, 5A w/LED	\$263.00
ADPH12010	Hybrid filter, 120VAC input, 10A w/LED and alarm contacts	\$399.00
ADPH12015	Hybrid filter, 120VAC input, 15A w/LED and alarm contacts	\$530.00
ADPH24010	Hybrid filter, 240VAC input, 10A w/LED and alarm contacts	\$409.00
ADPH24015	Hybrid filter, 240VAC input, 15A w/LED and alarm contacts	\$539.00

Standards and Certifications

- cURus E316410
- CSA 163545
- UL 1449 Third Edition
- UL 1283 Fifth Edition
- Built in an ISO 9001 facility
- Designed and tested in accordance with:
 - IEEE C62.41.1
 - IEEE C62.41.2
 - IEEE C62.43-2005
 - IEEE C62.45-2002
 - IEEE C62.48-2005
 - IEEE C62.62-2010
- RoHS compliant



ADPV12003

EATON AEGIS Powerline Filters

Technical Specifications

AEGIS Powerline Filters Technical Specifications				
	ADPH120xx		ADPH240xx	
Input voltage range	100-127 VAC		200-240 VAC	
Amperage	10A, 15A		1A, 3A, 5A	
Frequency	50/60 Hz		50/60 Hz	
Protection modes	L-N, L-G, N-G		L-N, L-G, N-G	
Max continuous operations voltage (MCOV)	150V	275V	150V	275V
EMI/RFI filtering attenuation	75dB at 110kHz		50dB at 100kHz	
Filter bandwidth	10kHz to 100MHz		10kHz to 100MHz	
Peak surge current per phase/mode	60/30 kA		40/20 kA	
UL nominal discharge current	5kA			
(VPR) UL voltage protection rating L-N / L-G / N-G	400/330/330	700/600/600	400/330/330	700/600/600
Operating temperature	-40°C to +50°C [-40°F to 122°F]		-40°C to +50°C [-40°F to 122°F]	
Response time	< 1 nanosecond		< 1 nanosecond	
Status indicator	LED		LED	
Alarm contacts	Yes (form C)		No	
SCCR	5kA		5kA	
Product weight	1.77 lb [0.80 kg]		1.15 lb [0.52 kg]	
Wire gauge range	22-10 AWG stranded copper for input/output terminals 30-18 AWG stranded/solid copper alarm contacts		22-10 AWG stranded copper for input/output terminals -	
Torque Specs	9 lb-in [1.02 N-m] for input/output terminals 4 lb-in [0.45 N-m] alarm contacts terminals		9 lb-in [1.02 N-m] for input/output terminals -	
Environment protection ratings	NEMA 1		NEMA 1	
Component Material Type	Plastic enclosure, type 950, rated UL94 V-0		Plastic enclosure, type 950, rated UL94 V-0	
Alarm contact ratings*	8A @ 250VAC / 30VDC		-	
Input/output terminal size range for ferrules and ring/fork	#6 stud size, 1/4" OD max			
Alarm contacts terminal size range for ferrules and ring/fork terminals	#4 stud size, 3/16" OD max		-	
Mounting	(35 mm) DIN rail mountable. No mounting orientation restrictions.			

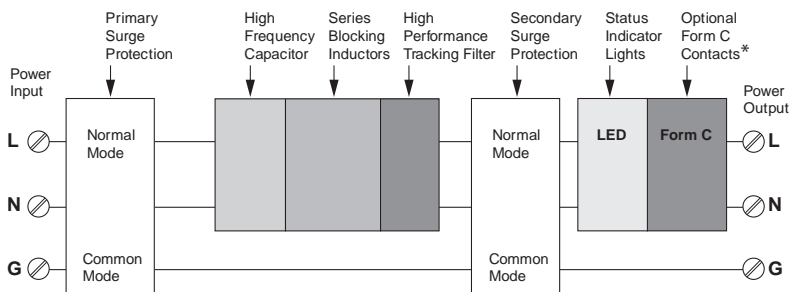
*Alarm contact and LED activation indicates power at output terminals.

Maximum EMI/RFI Attenuation – MIL-STD-220						
Model	10kHz	100kHz	1MHz	10MHz	100MHz	Max Attenuation Frequency
ADPH120xx	30dB	74dB	76dB	37dB	36dB	101dB at 0.5 MHz
ADPV120xx	27dB	56dB	55dB	36dB	28dB	66dB at 0.085 MHz

Let-Through Voltages Based on IEEE Std. C62.62-2010 Testing Waveforms		
Model	ADPH120xx	ADPV120xx
IEEE Category A, 100kHz ring wave, 6000V, 200A	25V	30V
IEEE Category B, 100kHz ring wave, 6000V, 500A	35V	40V
IEEE Category B, 100kHz ring wave, 6000V, 3000A (UL 1449-3 VPR)	360V	370V

Note: All tests conducted on 120VAC units only.

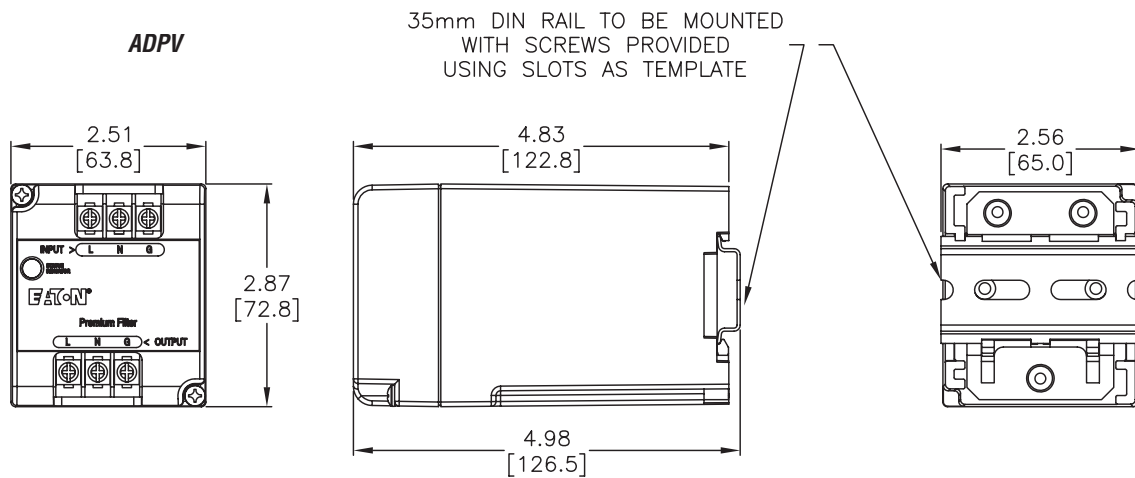
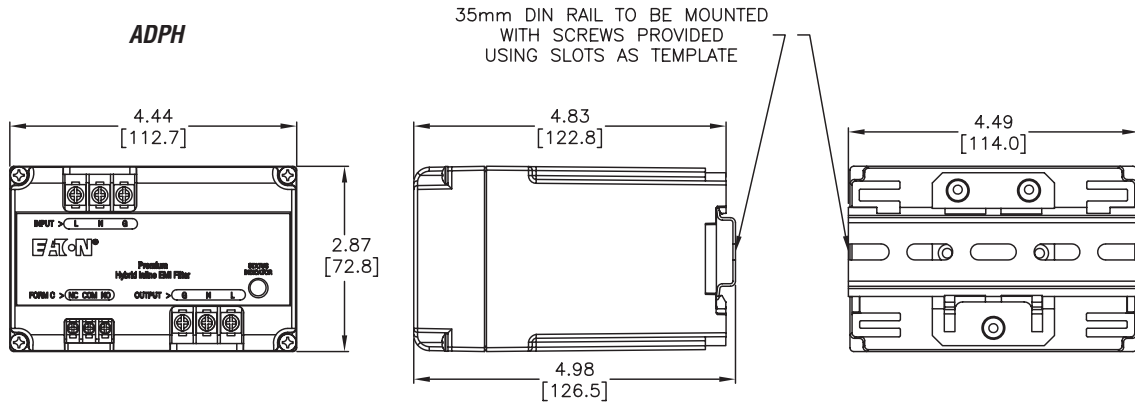
Three-wire design has normal and common mode protection (L-N, L-G, N-G)



*Available on the PH series only.

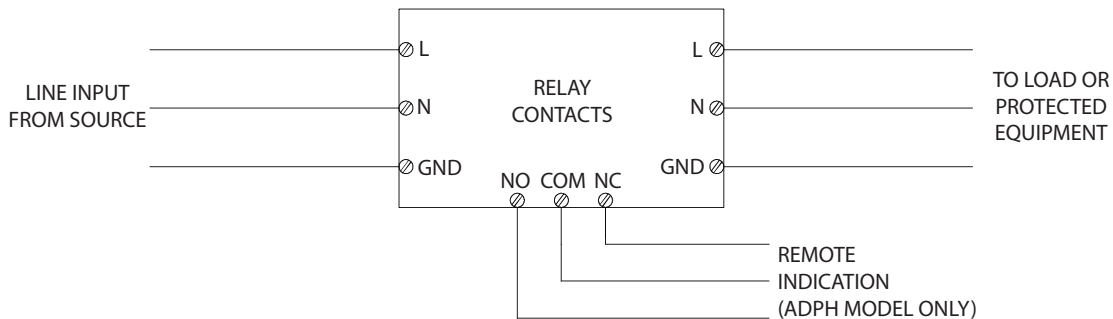
EATON AEGIS Powerline Filters

Dimensions in [mm]



See our website: www.AutomationDirect.com for complete engineering drawings

Wiring Diagram



Company Information

Terminal Blocks

Power Distribution Blocks

Wiring Accessories

ZIPLink Connection System

Multi-wire Connectors

Sensor Cables and Connectors

M12 Junction Blocks

Panel Interface Connectors

Wiring Duct

Cable Ties

Wire

Flexible Cord

Multi-conductor Flex Cable

Data Cables

Wire Management Products

Power Supplies

DC Converters

Transformers and Filters

Circuit Protection

Tools

Test Equipment

Enclosures

Enclosure Climate Control

Safety: Electrical Components

Safety: Protective Wear

Terms and Conditions