

# RHINO PSM24-REM360S Redundancy Module

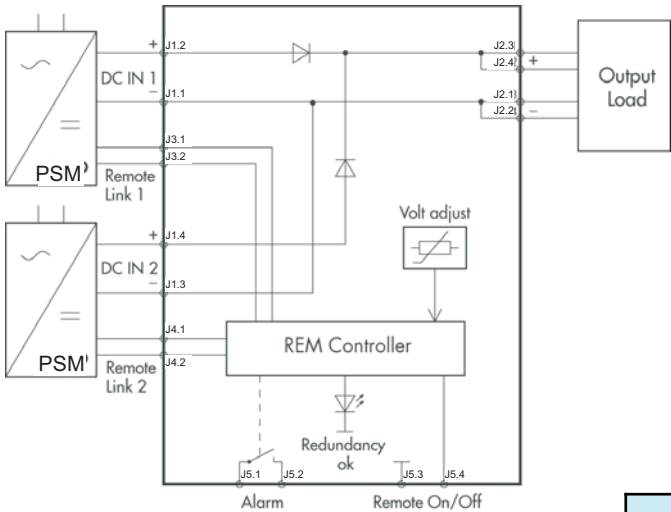
Using two PSM24 power supplies and a redundancy module, you can configure a redundant power system, featuring active current sharing, without any additional components. Even if one power supply fails or becomes disconnected, the second unit will supply full current to the load. The module has an alarm contact for monitoring of operations. The inputs are hot-swappable and can be loaded up to 15A each.



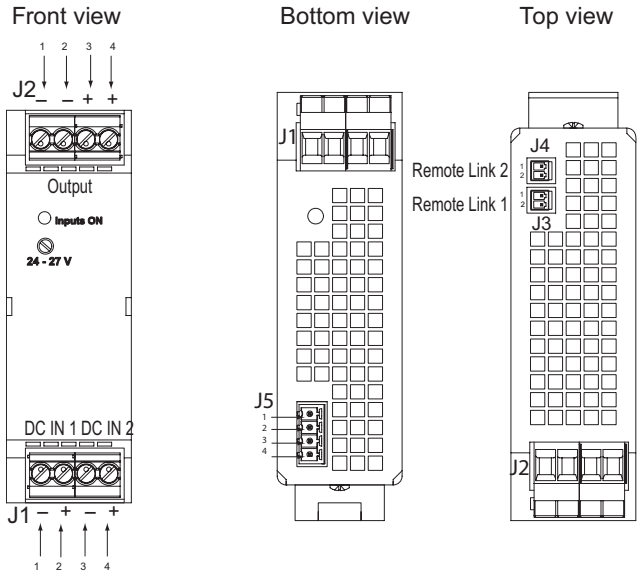
Redundancy Module					
Part Number	Price	Input	Max Power per Input	Output Voltage Adjust	Output Power Max
<b>PSM24-REM360S</b> (includes terminal plugs)	<--->	2 x 24 VDC 2 x Control Input	2 x 360 W	24 VDC (24 - 27 VDC)	360 W

General Specifications	
<b>Operating Temperature</b>	-25°C to +70°C max (-13°F to +158°F), derating above 40°C (104°F)
<b>Electromagnetic Compatibility</b>	In correspondence to connected units (no internal switching device)
<b>Redundancy OK Signal</b>	Trigger threshold at 18 to 22 VDC. Contact closed if one or both inputs failed
<b>Dimensions</b>	Same as model PSM24-090S (see dimensions page)
<b>Remote Link Wire 0.5m</b>	Two cables included with PSM24-REM360S module
<b>Remote ON/OFF</b>	By external contact: ON = J5.3 + J5.4 not shorted OFF = J5.3 + J5.4 shorted
<b>Alarm Contact Rating</b>	30 VDC/1.0 A max

## Redundancy Module Function Diagram



## Redundancy Module Connector Positions



	J1	J2	J3 Voltage control 1 for Input 1	J4 Voltage control 2 for Input 2	J5
Pin 1	Input 1 -Vin	GND (-)	S+	S+	DC-OK Signal
Pin 2	Input 1 +Vin	GND (-)	S-	S-	DC-OK Relay contact
Pin 3	Input 2 -Vin	Vout (+)	—	—	Remote ON/OFF
Pin 4	Input 2 +Vin	Vout (+)	—	—	Remote ON/OFF

**Note:** this redundancy module only works with the PSM series. Other series of power supplies are not compatible.