

RHINO PSM24-BFM600S Buffer Module



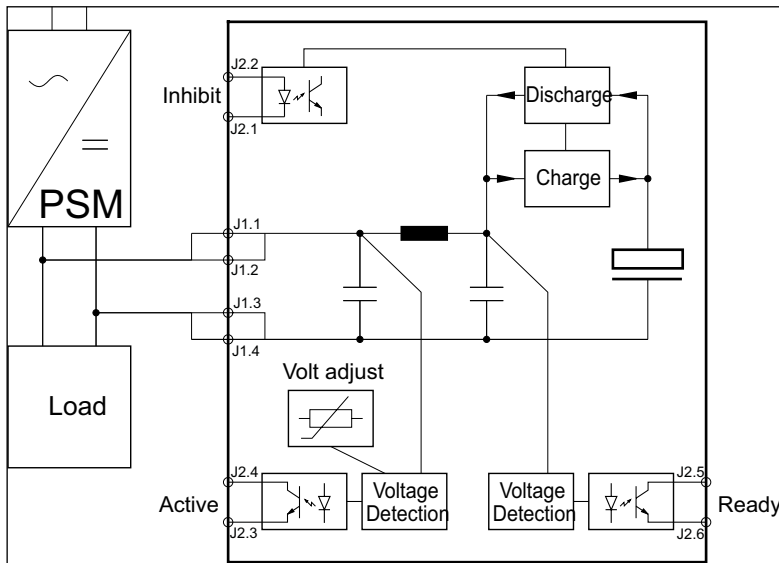
The buffer module will maintain the output voltage of a 24 VDC power supply after brownouts or voltage dips for up to 200 ms at 25 amps. It is a cost effective alternative to a battery-based backup system. The operation modes are indicated by an LED on the front panel.

Storing the energy in a capacitor bank, this backup solution is completely maintenance free. Its storage capacity does not deteriorate over the lifetime of the unit.

Buffer Module					
Part Number	Price	Input	Operating Voltage Range	Buffer Time	Output Power Max
PSM24-BFM600S (includes terminal plugs)	<--->	24 VDC	22 to 28 VDC	200 msec typical @ 25A max load 4.0 sec maximum @ 1.2A load	25.0 A (600 W)

General Specifications	
Operating Temperature	-25°C to +70°C max (-13°F to +158°F), derating above 40°C (104°F)
Electromagnetic Compatibility	In correspondence to connected units (no internal switching device)
Buffer Voltage	Adjustable, >1 V below input voltage, min. 22 VDC
Charging	0.6 A max/30s max
Status Signals	Buffer Active, Buffer Ready (optocoupler output), dual-color LED for status indication
Inhibit Input	Optocoupler input: supply between 5 VDC and 28 VDC to Inhibit
Dimensions	Same as model PSM12-156S (see dimensions page)
Signal Output Ratings	10 mA

Buffer Module Function Diagram



Buffer Module Connector Positions

