

RHINO PSM24-BCM360S Battery Control Module

The battery control module, when combined with a PSM24 power supply, makes a perfect DC-UPS system by providing the means to charge and monitor an external lead acid battery. The power supply charges the connected battery and keeps it in a charged mode. Consequently, the output voltage of the system is equivalent to the battery voltage.

To avoid overcharging the battery, an external temperature sensor (sold separately) automatically adjusts the battery voltage to the required end of charge voltage. This configuration extends the battery life.

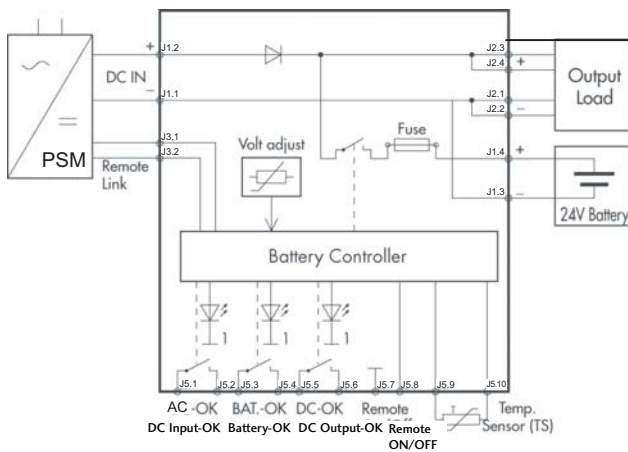


Battery Control Module					
Part Number	Price	Input	Input Power Max	Output Voltage Nom	*Output Power Max
PSM24-BCM360S (includes terminal plugs)	<--->	24 VDC power supply and 24 VDC battery	360 W	24 VDC	360 W

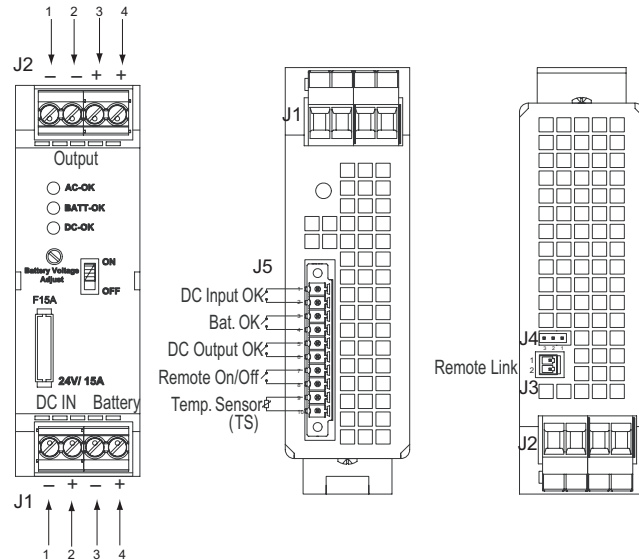
*reduce maximum output current by battery charging current.

General Specifications	
Operating Temperature	-25°C to +70°C max (-13°F to +158°F) 1.5%/K, derating above 40°C (104°F)
Electromagnetic Compatibility	In correspondence to connected units (no internal switching device)
Battery Protection	Over voltage, deep discharge, short-circuit and reverse connection (built-in fuse)
Status Signals	DC-OK input, DC-OK output, BAT OK (all relay contacts closed at status OK)
Rating per Relay Contact	30 VDC / 1.0 A max.
Dimensions	Same as model PSM24-090S (see dimensions page)
Remote Link Wire 0.5m	One cable included with PSM24-BCM360S module
Remote ON/OFF	By external contact: ON = J5.7 + J5.8 not shorted OFF = J5.7 + J5.8 shorted

Battery Control Module Function Diagram



Battery Control Module Connector Positions



	J1	J2	J3	J4	J5
Pin 1	- Vin (DC In)	GND (-)	S+	15 sec test	DC Input-OK Signal
Pin 2	+ Vin (DC In)	GND (-)	S-	Common	DC-OK Relay contact
Pin 3	- Bat in	Vout (+)	—	10 min test	Bat-OK Signal
Pin 4	+ Bat in	Vout (+)	—	—	Bat-OK Relay Contact
Pin 5	—	—	—	—	DC Output OK Signal
Pin 6	—	—	—	—	DC Output OK Relay Contact
Pin 7	—	—	—	—	Remote ON/OFF
Pin 8	—	—	—	—	Remote ON/OFF
Pin 9	—	—	—	—	Temperature Sensing
Pin 10	—	—	—	—	Temperature Sensing

- PLC Overview
- DL05/06 PLC
- DL105 PLC
- DL205 PLC
- DL305 PLC
- DL405 PLC
- Field I/O
- Software
- C-more HMIs
- Other HMI
- AC Drives
- Motors
- Steppers/ Servos
- Motor Controls
- Proximity Sensors
- Photo Sensors
- Limit Switches
- Encoders
- Pushbuttons/ Lights
- Process
- Relays/ Timers
- Comm.
- TB's & Wiring
- Power
- Enclosures
- Appendix
- Part Index