



AC Current Transformers

AcuAmp® 5A secondary current transformers offer a compact, cost-effective means of measuring primary current. These current transformers provide an easy-to-install method to measure AC current, producing a 0–5 A output proportional to the current flowing through the sensing window. Both the SA and the SB series offer larger than average sensing windows and a split-core design for easy installation.

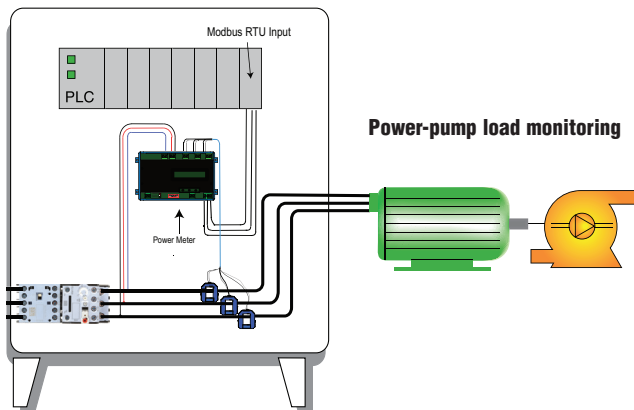
Features

- Split-core case for convenient installation over large wires or bus bars without disconnecting.
- Compatible with standard power monitors and panel meters designed for 5A input.
- Larger sensing windows:
SA Series aperture measures 2.22" x 1.19" and measures current from 0–150 to 0–600 A.
SB Series aperture measures 3.49" x 2.36" and measures current from 0–800 to 0–1000 A.
- Secondary terminals are zinc-plated for added reliability.
- UL recognized file E488023.
Meets ANSI/IEEE C57.13 and IEEE C57.13.2

Applications

- Serves as current input for use with ACT and ACTR series transducers.
- Saves space in control panels by remotely locating the sensing of the current closer to the load.
- For ammeters, wattmeters, panel meters, instrumentation, and energy management systems.

5A Secondary Current Transformers					
Part Number	Price	Ratio	Wt. (lb)	Output	Split-core case style
CTF-0150-5-SA	\$64.50	150:5	0.75	5A Secondary	medium sensing window
CTF-0200-5-SA	\$64.50	200:5	0.75		
CTF-0400-5-SA	\$94.00	400:5	0.75		
CTF-0600-5-SA	\$94.00	600:5	0.75		
CTF-0800-5-SB	\$124.00	800:5	2.0		large sensing window
CTF-1000-5-SB	\$124.00	1000:5	2.2		



SA Series

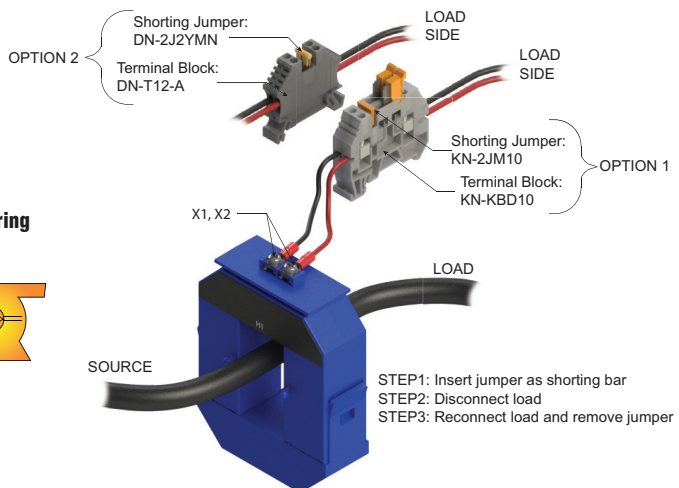


SB Series



Connecting A Current Transformer

A current transformer (CT) should never be energized (AC current through the sensing window) without a load connected to the secondary output terminals (X1, X2). Best practice is to terminate the current transformer secondary on a terminal block with the ability to short between two points before extending the leads to the load. If it is ever necessary to remove the load from the CT while it is or could become energized, a shorting bar can be placed between the secondary leads, as shown in the illustration below. This will allow the leads to be removed safely.





AC Current Transformers

Specifications						
Models	CTF-0150-5-SA	CTF-0200-5-SA	CTF-0400-5-SA	CTF-0600-5-SA	CTF-0800-5-SB	CTF-1000-5-SB
Power supply	Self-powered					
Current range (A)	150	200	400	600	800	1000
Output signal	0 to 5A (AC)					
Frequency range	50-400 Hz (UL tested at 60Hz only)*					
Primary circuit voltage	600VAC					
Temperature range	-20° to +50°C [-4° to +122°F]					
Secondary terminal wire range	22 - 14 AWG 75°/90°C					
Secondary terminal	#6 fork terminals or strip insulation 3/8 in					
Secondary terminal torque	3.5 lb-in [0.4 N-m]					
Current ratio	150:5	200:5	400:5	600:5	800:5	1000:5
Accuracy @ 60Hz	±1.5%					±1%
Burden VA @ 60Hz	1.2			7.5	10.0	
Continuous thermal rating factor (RF) @ 30°C	1.0					
Core type	Rectangular split-core case					
Approvals	UL recognized file E488023. Meets ANSI/IEEE C57.13 and IEEE C57.13.2, CE Certified					

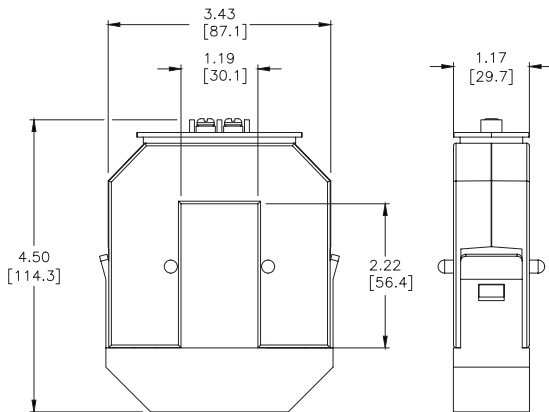
Note: RF = the maximum current at which a CT can operate continuously without exceeding the thermal limits of its insulation

To obtain the most current agency approval information, see the Agency Approval Checklist section on the specific part number's web page.

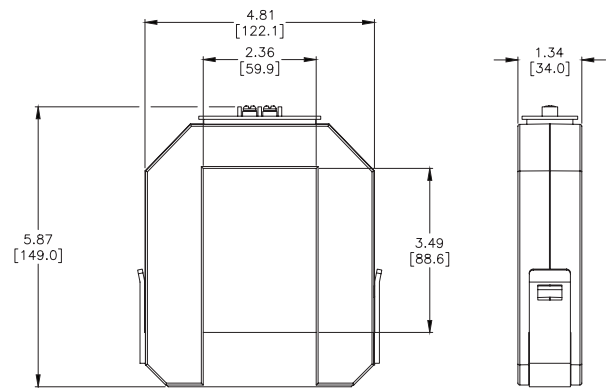
*Not for use with variable frequency drives.

Dimensions – in [mm]

SA Series



SB Series



See our website: www.AutomationDirect.com for complete engineering drawings