

IPES-0101T (IP54/IP41)

Industrial 10/100TX Switch with PoE 802.3at/af up to 30W

- EN50155/50121-3-2/50121-4 and EN45545-2 R24/R25 Fire & Smoke verification
- Provides M12 connector with IP54/IP41 rated protection
- IEEE802.3at/af up to 30W PoE output
- 12V power input can boost up to 54V output (12V model)
- 72V power input can step down to 54V output (72V model)
- Extends Power over Ethernet installations beyond 100 Meters
- Wide Operating Temperature from -40°C to 75°C
- Wide range redundant power inputs



OVERVIEW

Lantech IPES-0101T (IP54/IP41) is a 1 10/100 Base-TX + 1 10/100 Base-TX PoE switch with M12-connector for IP54/IP41 rated protection, which meets the high reliability requirements demanded by industrial rolling stock applications.

The IPES-0101T (IP54/IP41) supports IEEE802.3at/af standard which can feed HI-power up to 30W for big power consumption devices like PTZ IP camera, High power wireless AP etc. The IPES-0101T is able to take 12V input and boost to 54V output for PoE feeding in vehicle use with IEEE802.3at/af standard up to 30W per PoE port. 72V model accepts 72V input and can step down to 54V with IEEE802.3at/af standard up to 30W per PoE port.

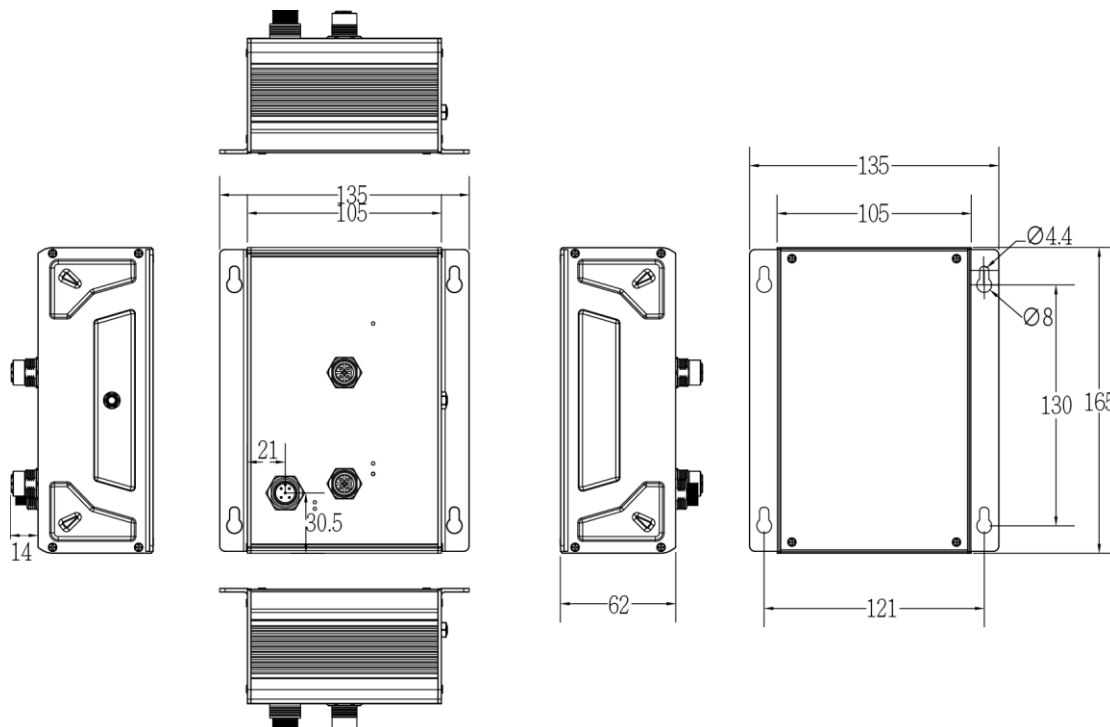
The IPES-0101T (IP54/IP41) is designed to meet with critical network environment with IP54/IP41 enclosure and M12 connectors for protection against dust and water. It has passed harsh environmental testing to comply with Industrial EMI and Safety standards as well as stability testing such as Free fall, Shock, and Vibration. For a greater flexibility in application the IPES-0101T (IP54/IP41) supports an extended operating temperature range from -40°C to 75°C.

The IPES-0101T (IP54/IP41) is compliant with EN50155/50121-3-2/ 50121-4 verification (railway applications), EN45545-2 R24/R25 Fire & Smoke verification for making the switch suitable for various industrial rolling stock applications.

FEATURES & BENEFITS

- | | |
|---|--|
| <ul style="list-style-type: none"> ■ 1 10/100TX + 1 10/100TX PoE Switch with M12 connectors and IP54/IP41 rated protection ■ Accept input voltage 9.5V ~57VDC for PoE 802.3at/af (12V model) ■ Accept input voltage 33.6~60VDC for PoE 802.3at/af (48V model) ■ Accept input voltage 50.4V~90VDC for PoE 802.3at/af | <ul style="list-style-type: none"> ■ (72V model) ■ Can extend Power over Ethernet installations beyond 100 Meters ■ Wide Operating Temperature (-40°C ~75°C) ■ Din rail** and wall mount design ■ EN50155/50121-3-2/50121-4 and EN45545-2 R24/R25 Fire & Smoke verification |
|---|--|

DIMENSIONS (unit=mm)



PECIFICATIONS

Hardware Specification		Power Budget	30W
IEEE Standard	IEEE802.3 10BASE-T Ethernet IEEE802.3u 100BASE-T Ethernet IEEE802.3x Flow Control and Back Pressure IEEE802.3at/af Power over Ethernet	Operating Humidity	5% to 95% (Non-condensing)
Transfer Rate	14,880pps for Ethernet port 148,800pps for Fast Ethernet port	Operating Temperature	-40°C ~ 75°C (-40°F ~ 167°F)
Mac Address	8K MAC address table	Storage Temperature	-40°C ~ 85°C (-40°F ~ 185°F)
Connector	10/100T: 2 x M12, 4-pole D-coded, Female with auto MDI/MDI-X function Power connector: 1 x M12, 5-pole A-coded, Male	Case Dimension	Aluminum case, IP-41/IP54 135mm(W)x165mm(H)x62mm(D)
Protocol	CSMA/CD	Weight	700g
LED	Per unit: Power 1 (Green), Power 2 (Green), Ethernet: Link/Activity (Green)	Installation	Wall Mount Design
PoE pin assignment	M12 Data in/out : Pin 1,2,3,4 M12 Power out : Pin 1,3(V+), 2,4(V-)	EMC	FCC Class A, IEC/EN61000-6-2 EN55032 Class A EN55024: CE EN61000-4-2 (ESD) Level 3 CE EN61000-4-3 (RS) Level 3 CE EN-61000-4-4 (EFT) Level 3 CE EN61000-4-5 (Surge) Level 3 CE EN61000-4-6 (CS) Level 3 CE EN61000-4-8 (Magnetic Field) Level 3
		Stability Testing	EN61373 (Shock and Vibration)
Power Supply	Dual input 9.5~57VDC for PoE feeding (12V model) 33.6~60VDC for PoE feeding (48V model) 50.4~90VDC for PoE feeding (72V model)	Verifications & Report	EN50155/EN50121-3-2/EN50121-4 verification EN45545-2 R24/R25 (EN ISO 4589-2, EN ISO 5659-2, NF X70-100-1 & 2) Fire & Smoke verification
Power Consumption	10W for 12/24/48VDC 13.5W for 72V	MTBF	1,145,207 hours
		Warranty	5 years

**Optional

