

DN-AIO-M

Universal termination board for analog I/O



Model: DN-AIO-M

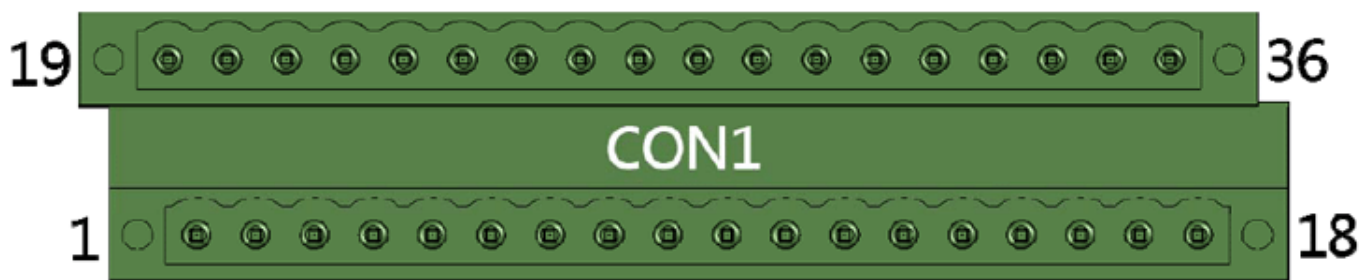
Introduction

The DN-AIO-M is a termination board for analog input and output modules. It is a general termination board for most kind of analog modules. The size of this termination board is also small and same as other mini termination boards for users' installation.

Specifications

Digital Output	
Channel	16
General	
Dimension (W x L x H)	112 mm x 117 mm x 29 mm
Mounting	35 mm DIN Rail, Wall
Operating temperature	-25 ~ +75 °C
Humidity	5 ~ 95 % RH, Non-condensing

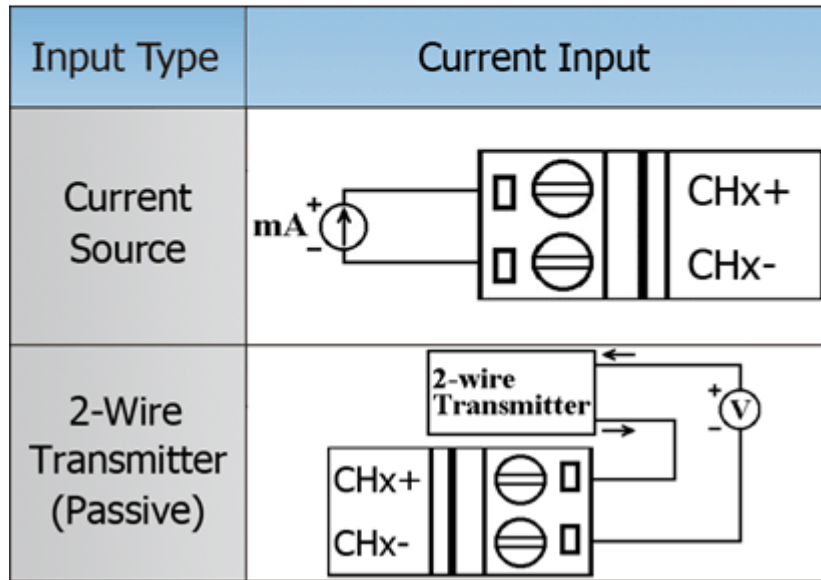
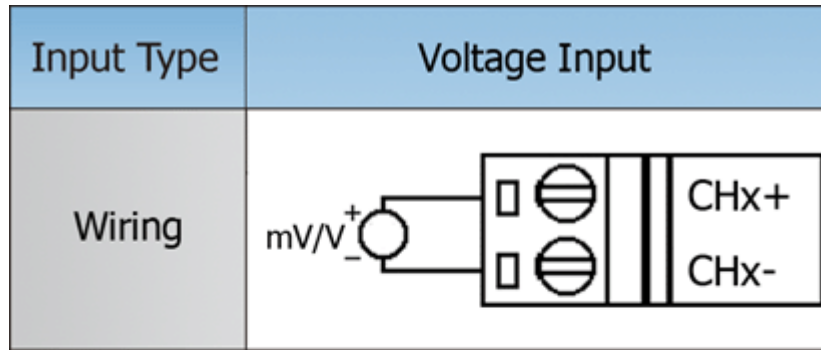
PIN Assignments



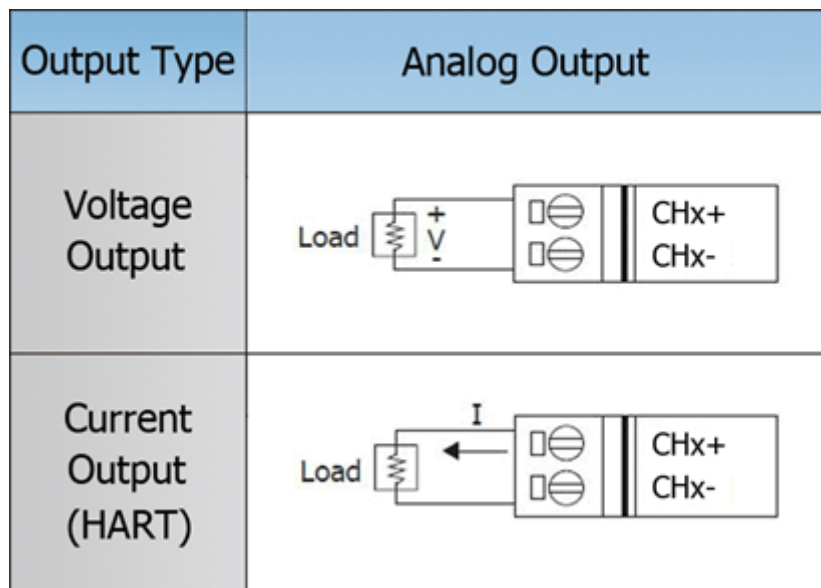
19	20	21	22	23	24	25	26	27	28	29	30	31	32	33	34	35	36
NC	CH8+	CH8-	CH9+	CH9-	CH10+	CH10-	CH11+	CH11-	CH12+	CH12-	CH13+	CH13-	CH14+	CH14-	CH15+	CH15-	FG
1	2	3	4	5	6	7	8	9	10	11	12	13	14	15	16	17	18
NC	CH0+	CH0-	CH1+	CH1-	CH2+	CH2-	CH3+	CH3-	CH4+	CH4-	CH5+	CH5-	CH6+	CH6-	CH7+	CH7-	FG

Wiring

Voltage/Current Input



Voltage/Current Output



Ordering Information

DN-AIO-M CR	Universal termination board for analog I/O (RoHS)
-------------	---

Accessories

CA-01	D-Sub 37pin Female-Male 1m Cable
CA-02	D-Sub 37pin Female-Male 2m Cable
CA-03	D-Sub 37pin Female-Male 3m Cable
CA-05	D-Sub 37pin Female-Male 5m Cable