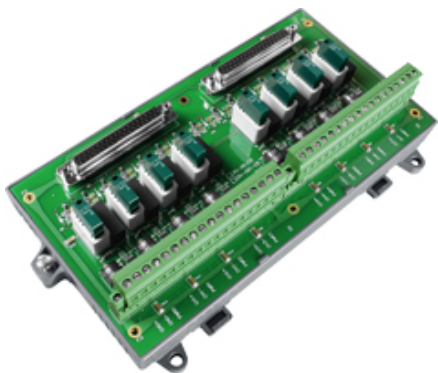


DN-A11-08

Termination board for current input with EMS protection and over-current protected and isolated passive loop power



Model: DN-A11-08

Introduction

The DN-A11-08 is a termination board for current analog input module. This termination board not only measures analog signal but also provides isolated loop power source for the field devices. In other words, this board supports both active and passive loop. Besides, this board also has short circuit protection for the isolated power, the loop current will be limited when circuit is shorted or the current is too large. Moreover, the removable fuse can protect loop device when high inrush current occur, these fuses also have physical indicator when broken.

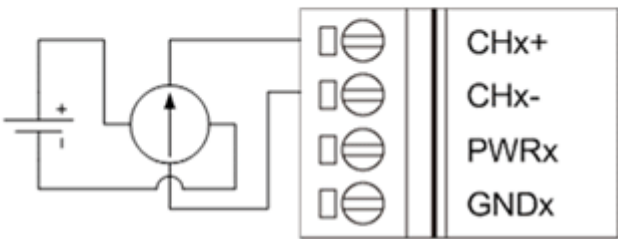
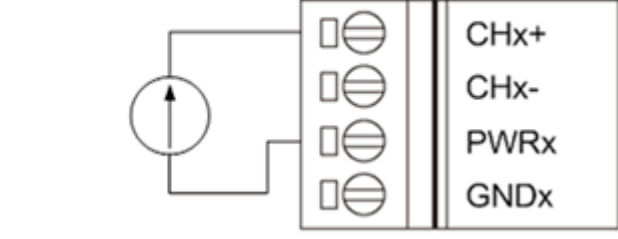
Specifications

Analog Input	
Channel	8 (Support Active and Passive Loop Wiring Connection)
Isolated Power Rating	1W with current limited protection
Fuse	320 mA removable and physical indicator fuse
General	
Dimension (W x L x H)	135 x 214.6 x 25.5 mm
Mounting	35 mm DIN Rail, Wall
Operating temperature	-25 ~ +75 °C
Humidity	5 ~ 95 % RH, Non-condensing

PIN Assignments

CON2																	
1	2	3	4	5	6	7	8	9	10	11	12	13	14	15	16	17	18
NC	CH0+	CH0-	PWR0	GND0	CH1+	CH1-	PWR1	GND1	CH2+	CH2-	PWR2	GND2	CH3+	CH3-	PWR3	GND3	FG
CON1																	
19	20	21	22	23	24	25	26	27	28	29	30	31	32	33	34	35	36
NC	CH4+	CH4-	PWR4	GND4	CH5+	CH5-	PWR5	GND5	CH6+	CH6-	PWR6	GND6	CH7+	CH7-	PWR7	GND7	FG

Wiring

Input Type	HART/Current Input
<p>4-Wire Transmitter (Active)</p>	
<p>2-Wire Transmitter (Passive)</p>	

Ordering Information

DN-A11-08 CR	Termination board for current input with EMS protection and over-current protected and isolated passive loop power (RoHS)
--------------	---

Accessories

CA-3710AM	1m 37-pin Male-Female D-sub cable, 24AWG, UL-2464
CA-3720AM	2m 37-pin Male-Female D-sub cable, 24AWG, UL-2464
CA-3730AM	3m 37-pin Male-Female D-sub cable, 24AWG, UL-2464
CA-3750AM	5m 37-pin Male-Female D-sub cable, 24AWG, UL-2464
CA-37100AM	10m 37-pin Male-Female D-sub cable, 24AWG, UL-2464
CA-3710D	DB-37 Male-Male D-sub cable 1M, Cable for Daughter Board (180o)
CA-3720D	DB-37 Male-Male D-sub cable 2M, Cable for Daughter Board (180o)