

8.6 Voltage Attenuator and Current Transformer



Features

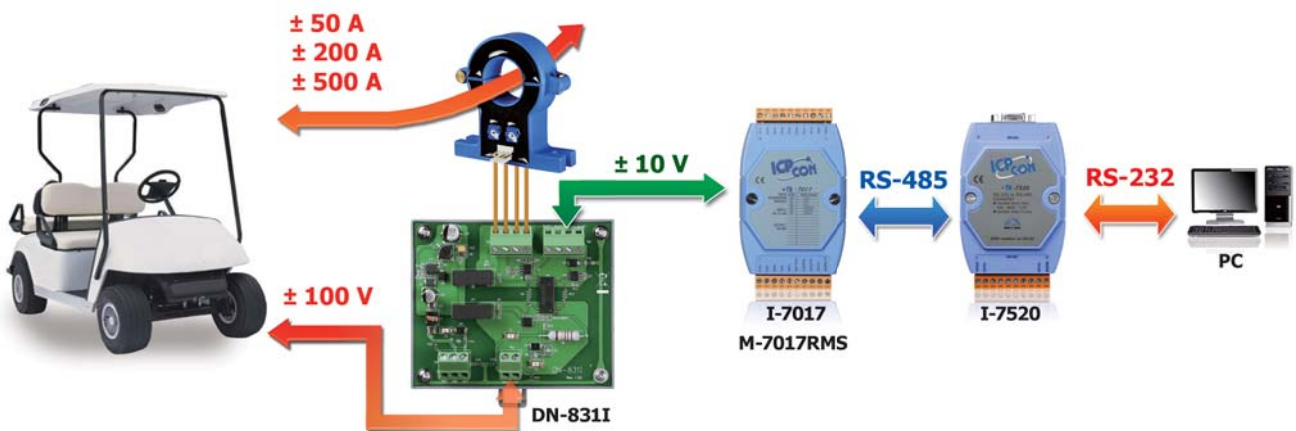
- High Voltage Input and High Current Input Measurement
- Three Way Isolation
- Linear Attenuation Ratio
- High Input Impedance
- 3000 Vdc Channel to Channel Isolation
- 4 kV ESD Protection
- 3 kV Surge Protection
- RoHS Compliance
- Easily wire connection
- Operating Temperature: -25 ~ +75 °C



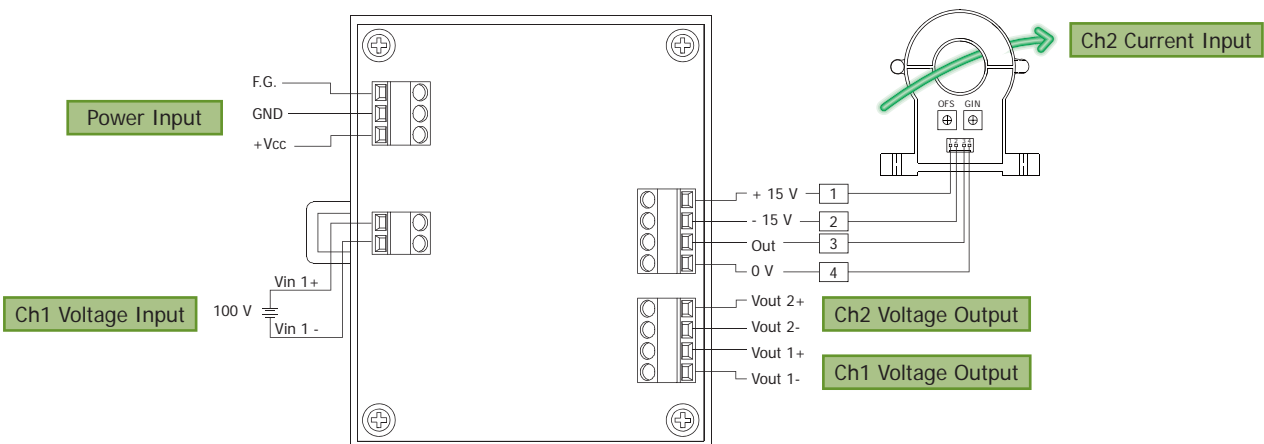
Introduction

The DN-831I-100V-500A is 1-channel voltage attenuator and 1-channel current transformer. The maximum voltage input range is from +/- 100 V can be attenuated to ± 10 V and the maximum current input range is from +/- 500 A can be attenuated to ± 10 V. It provides 3000 Vdc intra-modules isolation and 3000 Vdc channel to channel isolation to avoid the noise interference from inputs to outputs or channel to channel. It can be used with the analog input modules such as I-7017, I-87017, M-7017RMS and I-87017W-RMS etc. to measure the high current.

Applications



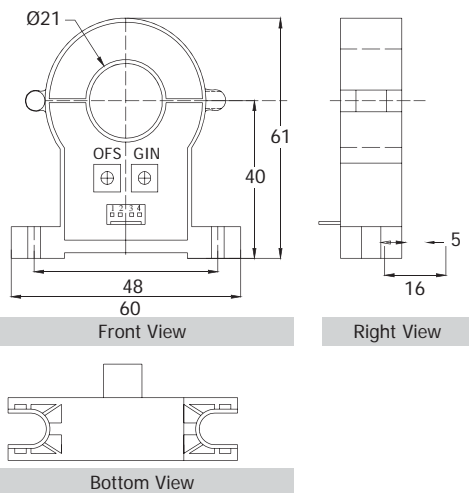
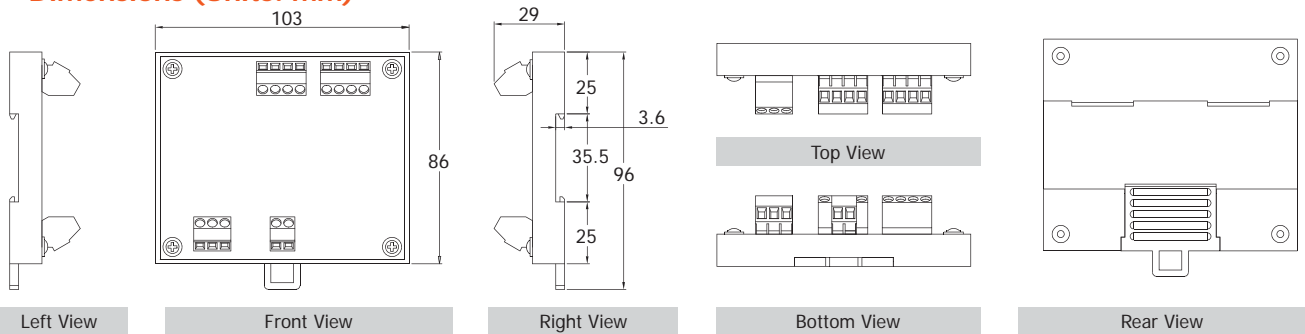
Appearance



Specifications

Models	DN-8311-100V-50A	DN-8311-100V-200A	DN-8311-100V-500A
High Current Input			
Channels	1		
Input Type	AC/DC Current		
Input Current Range	+/-50 A	+/-200 A	+/-500 A
Output Voltage Range	+/-10 V _{Dc} or 10 V _{Ac}		
Accuracy	1% of FSR		
Isolation voltage	2.5 kV @ 50 (60) HZ/1 min		
Frequency bandwidth	0 ~ 50 KHz		
High Voltage Input			
Channel	1		
Input Type	AC/DC Voltage		
Input Range	+/-100 V _{Dc}		
Output Range	+/-10 V _{Dc} or 10 V _{Ac}		
Accuracy	1% of FSR		
Frequency bandwidth	20 Hz ~ 20 kHz		
Isolation			
Three Way Isolation	3000 V _{Dc}		
EMS Protection			
ESD (IEC 61000-4-2)	+/-4 kV contact for power line, input and output channels, +/-8 kV air for random point		
Surge (IEC 61000-4-5)	+/-3 kV for power line		
Power Input			
Input Range	+10 ~ +30 V _{Dc}		
Power Consumption	1.8 W		
Mechanical			
Dimensions (W x L x H)	96 mm x 103 mm x 30 mm		
Installation	DIN-Rail Mounting		
Environment			
Operating Temperature	-25 ~ +75°C		
Storage Temperature	-30 ~ +75°C		
Humidity	10 ~ 90% RH (non-condensing)		

Dimensions (Units: mm)



Ordering Information

DN-84311-100V-50A CR	1 Channel Voltage Attenuator (100V) and 1 Channel Current Transformer (50A)
DN-84311-100V-200A CR	1 Channel Voltage Attenuator (100V) and 1 Channel Current Transformer (200A)
DN-84311-100V-500A CR	1 Channel Voltage Attenuator (100V) and 1 Channel Current Transformer (500A)

Accessories

CA-040415	4-pin & 4-pin Cable 1.5 M (RoHS)
MDR-20-24 CR	24 V/1 A, 24 W Power Supply with DIN-Rail Mounting (RoHS)
I-7017-G CR	8-channel Analog Input Module (RoHS)
I-87017-G CR	8-channel Analog Input Module (RoHS)